

TE/TXE Electric Diaphragm Pumps

Original Instruction
2024 | 1



Read this instruction manual carefully,
before you install and operate the pump

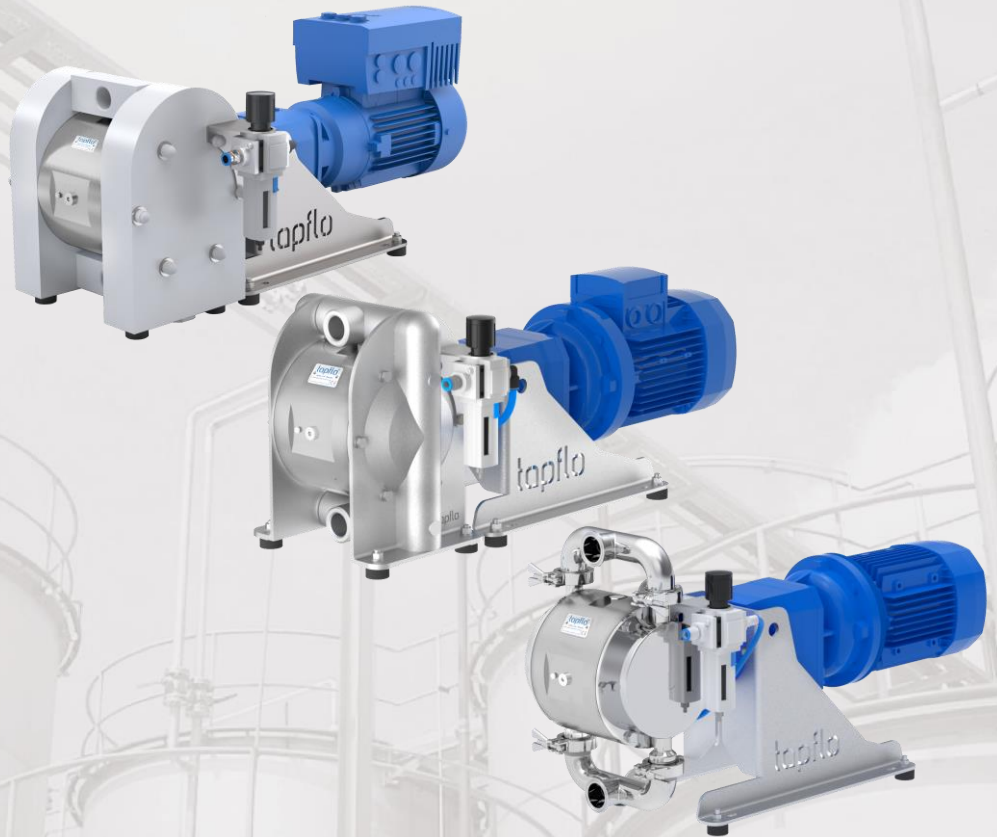


Pump models:

TE/TXE50
TE/TXE100
TE/TXE200

TE/TXE70
TE/TXE120
TE/TXE220

TE/TXE80
TE/TXE125
TE/TXE225



CONTENTS

EC DECLARATION OF CONFORMITY 01/EC/TE/2019	4
EU DECLARATION OF CONFORMITY 01/ATEX/TE/2020	5
0. GENERAL	6
0.1. Introduction	6
0.2. Warning symbols	6
0.3. Qualification and training of personnel	6
0.4. Related manuals	7
0.5. Nameplate	7
1. INSTALLATION	8
1.1. Operation principle	8
1.2. Receiving inspection	8
1.3. Lifting and transportation	9
1.4. Storage	9
1.5. Foundation	10
1.6. Environment	10
1.7. Suction and discharge piping	10
1.7.1. Rotary connections (industrial pumps only)	10
1.7.2. Connection of suction pipe	11
1.7.3. Connection of discharge pipe	11
1.8. Health and safety	11
1.8.1. Protection	11
1.8.2. Explosion hazardous environments – ATEX	11
1.8.3. Electrical safety	13
1.8.4. Chemical hazard	13
1.8.5. Air pressure	13
1.8.6. Noise level	14
1.8.7. Temperature hazards	14
1.8.8. Rotating parts	14
1.9. Example of installation	15
1.10. Recommended installations	15
1.10.1. Flooded	15
1.10.2. Self-priming	15
1.11. Instruments	15
1.11.1. Electric power	16

CONTENTS

1.11.2. Optional instruments	16
1.11.3. Thermometer	16
1.12. Motor connection	17
1.13. Gear-motor standard	18
2. OPERATION	19
2.1. Before starting the pump	19
2.2. Starting and operation	19
2.2.1. Dry running	20
2.2.2. Dead head	20
2.2.3. Optimization of the pump lifetime	20
2.3. Pump stopping	20
2.4. Cleaning and disinfection	21
2.4.1. CIP – Cleaning In Place (Sanitary pumps)	21
2.5. Residual risks	21
2.6. Disposal after expiration of the expected lifetime	21
2.7. Waste of electrical and electronic equipment (WEEE) directive	21
2.8. Actions in emergency	22
3. MAINTENANCE	23
3.1. Inspections	23
3.2. When the pump is new or reassembled	23
3.2.1. Performance test	23
3.3. Routine inspection	23
3.4. Complete inspection	24
3.5. Location of faults	25
3.6. Disassembly of the pump	26
3.6.1. Before the disassembly procedure	26
3.6.2. Disassembly procedure	26
3.7. Assembly procedure	29
3.7.1. Test run	29
4. SPARE PARTS	30
4.1. Exploded view – plastic pumps	30
4.2. Spare parts list – plastic pumps	30
4.3. Exploded view – aluminium pumps	32
4.4. Spare parts list – aluminium pumps	32
4.5. Exploded view – steel pumps	34
4.6. Spare parts list – steel pumps	34

CONTENTS

4.7.	Exploded view – sanitary pumps	36
4.8.	Spare parts list – sanitary pumps.....	36
4.9.	Stocking recommendation	38
4.9.1.	For plastic pumps:.....	38
4.9.2.	For metal industrial pumps:.....	38
4.9.3.	For sanitary pumps:	38
4.10.	How to order parts.....	39
4.11.	Pump code.....	39
5.	DATA	40
5.1.	Capacity curves.....	40
5.2.	Capacity changes.....	40
5.3.	Technical data	41
5.4.	Dimensions	43
5.5.	Tightening torques	44
5.6.	Permitted loads on manifolds.....	45
6.	WARRANTY	46
6.1.	Warranty form.....	46
6.2.	Returning parts	47
6.3.	Warranty.....	47

EC DECLARATION OF CONFORMITY 01/EC/TE/2019

Series: **TE(...)**50...; **TE(...)**100...; **TE(...)**200...; **TE(...)**70...; **TE(...)**120...; **TE(...)**220...; **TE(...)**80...;
TE(...)125...; **TE(...)**225...;

Serial numbers:

2018 - ... (from 1801-...)

Manufactured by:

Tapflo AB

Filaregatan 4

442 34 Kungälv, Sweden

This declaration of conformity is issued under the sole responsibility of the manufacturer.

Object of declaration: **ELECTRO-MECHANIC DOUBLE DIAPHRAGM PUMPS**

The object of the declaration described above is in conformity with the relevant Union harmonisation legislation:

- Directive 2006/42/EC of European Parliament and of the Council of 17 May 2006 on machinery, amending Directive 95/16/EC;
- Directive 2014/30/EU of the European Parliament and of the Council of 26 February 2014 on the harmonisation of the laws of the Member States relating to electromagnetic compatibility (recast) Text with EEA relevance
- Directive 2014/35/EU of the European Parliament and of the Council of 26 February 2014 on the harmonisation of the laws of the Member States relating to the making available on the market of electrical equipment designed for use within certain voltage limits Text with EEA relevance

Mr Michał Śmigiel is authorized to compile the technical file.

Tapflo Sp. z o.o.
ul. Czatkowska 4b
83-110 Tczew

Signed for and on behalf of Tapflo AB



Håkan Ekstrand
Managing director

Tapflo AB, 30.01.2019 r.

EU DECLARATION OF CONFORMITY 01/ATEX/TE/2020

Series:

TXE(...)50...; TXE(...)100...; TXE(...)200...; TXE(...)70...; TXE(...)120...; TXE(...)220...;
TXE(...)80...; TXE(...)125...; TXE(...)225...

Serial numbers:

2020 - ... (from 2004-...)

Pump materials:

Conductive PE, Conductive PTFE, Conductive PP, Aluminium, PTFE coated aluminium, Cast iron, Stainless steel AISI 316/316L, AISI 904L, Hastelloy C

Manufactured by:

Tapflo AB
Filaregatan 4
442 34 Kungälv, Sweden

This declaration of conformity is issued under the sole responsibility of the manufacturer.

Object of declaration: **CONDUCTIVE ELECTRO-MECHANIC DIAPHRAGM PUMP HEAD**

EU Type Examination Certificate was carried out by J.S. Hamilton Poland Sp. z o.o. (**Notified Body No. 2057**) and as a result a certificate No: **JSHP 20 ATEX 0025X** was issued.

The object of the declaration described above is in conformity with the relevant Union harmonisation legislation:

- Directive 2014/34/EU of the European parliament and of the council of 26 February 2014 on Equipment or Protective System intended for use in potentially explosive atmosphere
- EN ISO 80079-36:2016-07
- EN ISO 80079-37:2016-07

and is intended for operation in potentially explosive atmospheres according to:

 **II 2G Ex h IIC T6...T4 Gb**

 **II 2D Ex h IIC T60°C...T125°C Db**

Signed for and on behalf of Tapflo AB



Håkan Ekstrand
Managing Director

Tapflo AB, 01.04.2020r

0. GENERAL

0. GENERAL

0.1. Introduction

The Tapflo Electro-Mechanic Operated Diaphragm Pump range is a series of pumps for industrial and hygienic applications. The pumps are designed to be safe, simple and easy to use and maintain. The pumps are suitable for almost all different chemicals used by the industry today.

The pumps are powered with an electric motor which is coupled with the diaphragm shaft. To decrease the motor rotational speed a gearbox is used. This provides smooth and almost pulsation free operation.

With proper attention to maintenance, Tapflo Pumps will give efficient and trouble free operation. This instruction manual will familiarise operators with detailed information about installing, operating and maintaining of the pump.

When installing, operating and maintaining of the pump unit you must strictly follow the IOM manual. Otherwise injury or life hazard may occur.

In case any instructions in this manual are unclear or any information is missing, please contact Tapflo before handling the pump.

0.2. Warning symbols

The following warning symbols are present in this instruction manual. This is what they say:



This symbol stands next to all safety instructions in this instruction manual where danger to life and limb may occur. Observe these instructions and proceed with utmost caution in these situations. Inform also other users of all safety instructions. In addition to the instructions in this instruction manual, the general safety and accident prevention regulations must be observed.



This signal stands at points in this instruction manual of particular importance for compliance with regulations and directives, for correct work flow and for the prevention of damage to and destruction of the complete pump or its subassemblies.



This symbol signals possible danger caused by the presence of electric fields or live wires.

0.3. Qualification and training of personnel



The personnel in charge of installation, operation and maintenance of the pumps we produce must be qualified to carry out the operations described in this manual. Tapflo shall not be held responsible for the training level of personnel and for the fact that they are not fully aware of the contents of this manual. In case any instructions in this manual are unclear or any information is lacking, please contact Tapflo before handling the pump.

0. GENERAL

0.4. Related manuals

- IOM Manual - PE and PTFE diaphragm pumps
- IOM Manual - Metal series diaphragm pumps
- IOM Manual - Sanitary Series

0.5. Nameplate

The nameplate is made in the below design. It is made of AISI 304 stainless steel and placed on the pump centerblock (see page 1). Nameplate dimensions are 38 x 48 mm.

The nameplate design for standard Tapflo pumps includes the following elements:

- Top left: Three circular icons (a globe, a crossed-out trash can, and the CE mark).
- Top right: The Tapflo logo and the text "Tapflo AB, www.tapflo.com".
- Below the icons: The text "Pump Model" and "Filaregatan 4 | S-442 34 Kungälv, Sweden".
- A large rectangular box for the Pump Model.
- Below the box: Three circular icons (a globe, a crossed-out trash can, and the CE mark).
- Below the icons: The text "Serial Number", "Mfg year", and "Pmax [bar]".
- Below the text: Three rectangular boxes for the Serial Number, Mfg year, and Pmax [bar].

The nameplate design for Ex-rated Tapflo pumps includes the following elements:

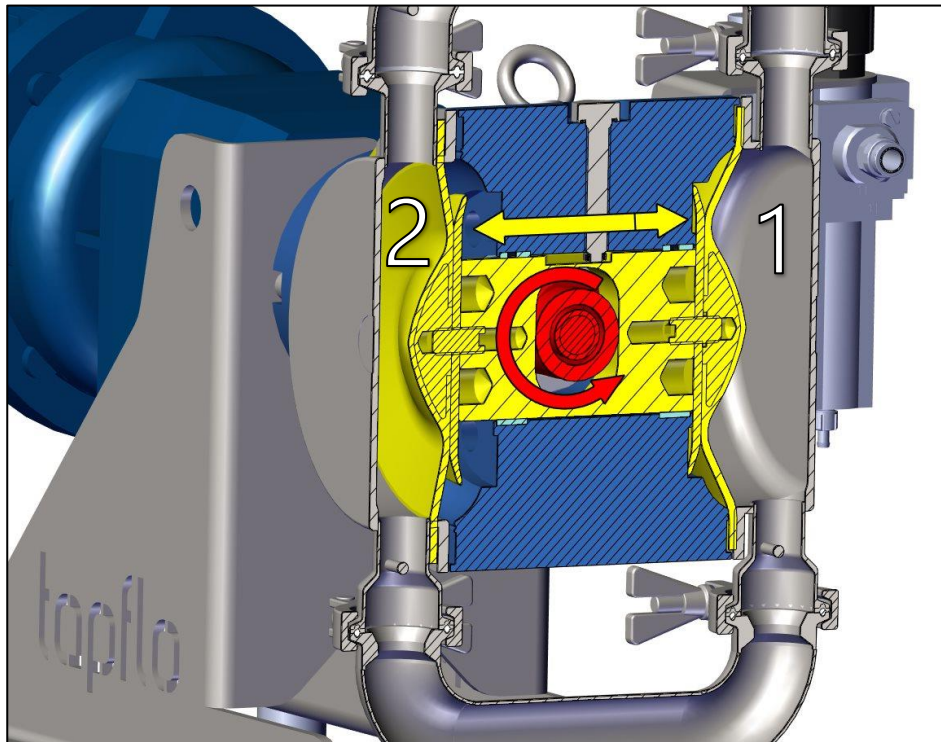
- Top left: Three circular icons (a globe, a crossed-out trash can, and the CE mark).
- Top right: The Tapflo logo and the text "Tapflo AB, www.tapflo.com".
- Below the icons: The text "Pump Model" and "Filaregatan 4 | S-442 34 Kungälv, Sweden".
- A large rectangular box for the Pump Model.
- Below the box: Three circular icons (a globe, a crossed-out trash can, and the CE mark).
- Below the icons: The text "Serial Number", "Mfg year", and "Pmax [bar]".
- Below the text: Three rectangular boxes for the Serial Number, Mfg year, and Pmax [bar].
- Bottom left: A hexagonal Ex symbol.
- Bottom right: A large rectangular box for the Ex symbol.

1. INSTALLATION

1. INSTALLATION

1.1. Operation principle

The Tapflo electric diaphragm pump is driven by a gear-motor. In EODD pumps we have to change rotary motion into reciprocating one. It is obtained by an eccentric shaft with a cam and piston. The rotary movement of the shaft (red part) is transferred to the reciprocating movement of the diaphragm shaft (yellow part).



➤ [Click the image for animation](#)

The Suction Cycle:

➤ **Suction (chamber 1)**

One diaphragm creates a suction action in one chamber (right side) when being pulled back from the housing.

➤ **Discharge (chamber 2)**

The other diaphragm simultaneously transmits the pressure to the liquid in the second chamber (left side) of the housing, pushing it towards the discharge port.

1.2. Receiving inspection

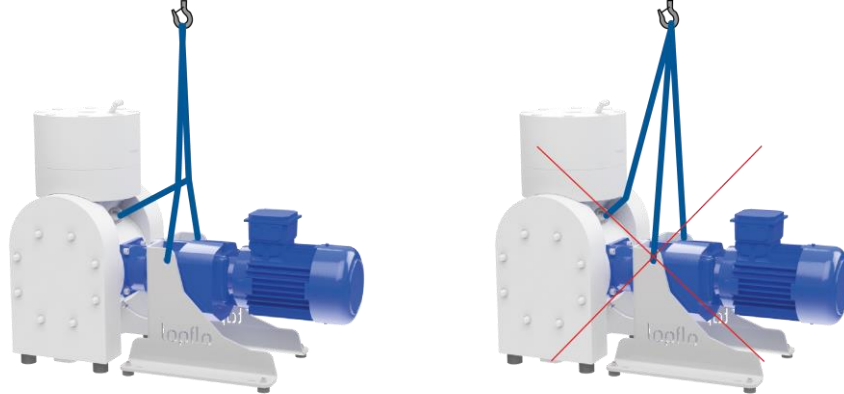
Although precaution is taken by us when packing and shipping, we urge you to carefully check the shipment on receipt. Make sure that all parts and accessories listed on the packing list are accounted for. Immediately report any damage or shortage to the transport company and to us.

1. INSTALLATION

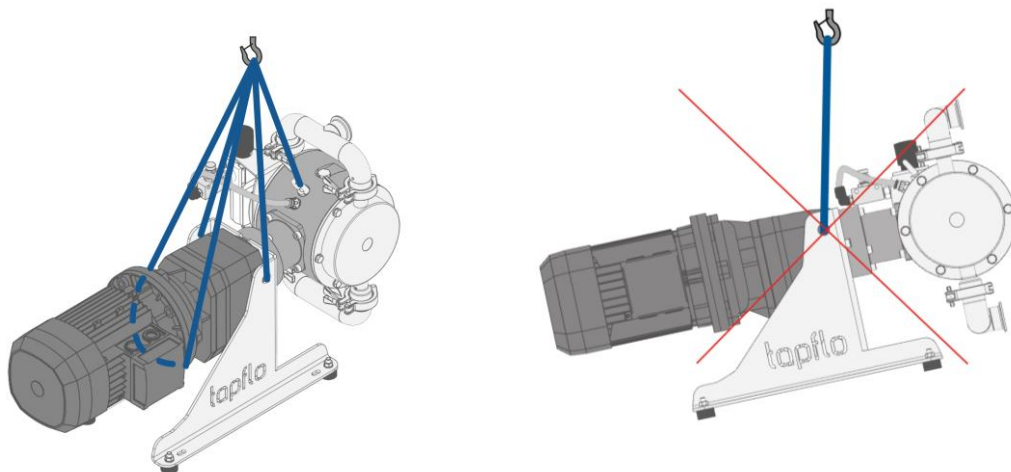
1.3. Lifting and transportation



Before handling the pump check the weight of the pump (see 5.3. *Technical data*). Refer to Your local standards on how to handle the pump. If the weight is excessive to transport by hand it must be lifted using slings and a suitable lifting device e.g. a crane or forklift.



Always be sure to properly adjust length of slings in TEK pumps, not to put unnecessary pressure on the built on dampener. The pressure may cause leakage on the O-rings. The pump is equipped with eye bolts to ease transportation.



Never lift the pump under pressure.

Be careful that nobody passes under the pump when lifted.

Never try to lift the pump by the manifolds or hoses attached to the pump.

1.4. Storage



If the equipment is to be stored prior to installation, place it in a clean location. The pump should be stored in an ambient temperature of 15°C (59°F) to 25°C (77°F) and relative humidity below 65%. It should not be exposed to any heat source e.g. radiator, sun as this could result in a negative way on the tightness of the pump. Do not remove the protective covers from the pump.

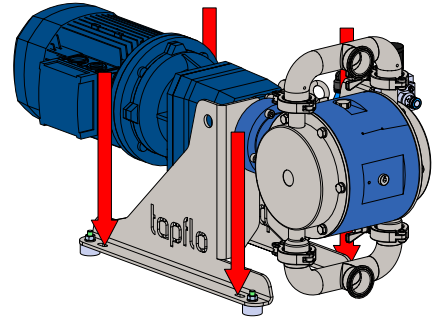
When in storage, turn the shaft by hand at least twice per month. The pump-motor unit should always be stored indoor in dry, vibration and dust free conditions.

1. INSTALLATION

1.5. Foundation



The pump-motor unit must stand on and be fixed to a sufficiently rigid structure that can support the entire perimeter on which the unit stands. The foundation on a firm bottom is the most satisfactory. Once the pump is in position, adjust level with metal shims between the feet and the surface on which it stands. Check that the feet of the pump motor unit stand well on each of them. The surface on which the foundation stands must be flat and horizontal. If the unit is fitted on a steel structure, make sure that it is supported so that the feet do not warp. In any case, it is advisable to fit some anti-vibration rubber pieces between the pump and the brickwork.



1.6. Environment



- There should be enough space in the vicinity of the pump in order to operate, maintain and repair it.
- The area in which the pump is operated, must be sufficiently ventilated. Excessive temperature, humidity or dirt may affect the pump operation.
- Behind the cooling fan of the motor there must be sufficient room for the hot air to escape the motor.

1.7. Suction and discharge piping

A pump is generally part of a piping system that can include a number of components such as valves, fittings, filters, expansion joints, instruments, etc. The way the piping is arranged and the positioning of the components has a great influence on the operation and the lifetime of the pump. The pump cannot be used as a support for the components connected to it.

The flow of liquid from the pump must be as even as possible. It is advisable to avoid any tight bends or drastic reductions of diameters that may cause flow resistance in the installation. In case of diameter reduction, it is advisable to use appropriate conical reductions (possibly eccentric on suction side and concentric on discharge side) at changes of diameter and at a minimum distance from pump connections of five diameters.

1.7.1. Rotary connections (industrial pumps only)

The suction and discharge connections can be rotated 180°. This simplifies the assembly and installation of the pump. To rotate the connections, the housing nuts must be slightly loosen to ease the manifold rotation and avoid damage on the housing O-rings.

NOTE! Remember to re-torque the housing nuts after this procedure.

1. INSTALLATION

1.7.2. Connection of suction pipe

Remember that the suction pipe/connection is the most critical point, especially if the pump is priming. Just a small leakage will dramatically reduce the suction capability of the pump. When connecting the suction pipe, the following is recommended:

- 1) For satisfactory operation, use a reinforced hose (the suction power may otherwise shrink the hose) or other flexible piping. The internal diameter of the hose should be the same as on the suction connection (at the bottom of the pump) to have best suction capability. If the diameter of a hose is smaller, it will affect the pump's performance or cause its malfunction.
- 2) Make sure that the connection between the hose and the pump is completely tight, otherwise the suction capability will be reduced.
- 3) Always use as short suction pipe as possible. Avoid air pockets which can emerge within long piping.

1.7.3. Connection of discharge pipe



For this connection it is only recommended to have a simple and positive flow connection. Use a hose or flexible piping (minimum one meter) between the discharge connection and any rigid fixed piping. Coil the hose at least one turn. All components (hose, pipe, valves etc.) on the discharge piping must be designed for minimum PN 10.

NOTE! Never close the shut-off valve during pump operation!

1.8. Health and safety

The pump must be installed according to local and national safety rules.



The pumps are constructed for particular applications. Do not use the pump on applications different from that for which it was sold without consulting us to ascertain its suitability.

The pumps are tested with water. If the pumped product can come into reaction with water, please make sure the pump is dry before putting it into operation.

1.8.1. Protection



In the interest of health and safety it is essential to wear protective clothing and safety goggles when operating, and/or working in the vicinity of Tapflo pumps.

1.8.2. Explosion hazardous environments – ATEX



The standard PE & PTFE series pumps are not allowed to operate in environments where there is danger of explosion. Static electricity may occur in the pump under operation, which may cause explosion and injury. Special conductive TXE pumps are available for such applications that are equipped with an explosion proof gearmotor. Metal pumps need only ATEX certified gearmotor to operate in hazardous environments. Follow below instructions and local/national rules for safe use.

1. INSTALLATION

ATEX (directive 2014/34/EU) classification of Tapflo TXE pump head:

II 2G Ex h IIC T6...T4 Gb

II 2D Ex h IIIC T60°C...T125°C Db

Equipment group:	II – all other explosive areas than mines;
Category group:	2 – high level of protection (can be used in zone 1);
Atmosphere:	G – gas; D – dust;
Explosion group:	IIC – gas group (such as acetylene, hydrogen); IIIC – dust group (conductive dusts);
Type of protection*:	h – control of ignition sources;
Temperature class**:	T4, T6 – in the event of a malfunction, the maximum temperature of a surface that may be exposed to gas T4 = 135°C, T6 = 85°C;
EPL protection level:	Gb, Db – high protection.

* The type of protection is h (c) – design safety due to constructional measures.

** The temperature class of the device depends on the temperature of the pumped medium:

Medium temperature	Ambient temperature
	$-20^{\circ}\text{C} \leq T_a \leq +40^{\circ}\text{C}$
up to 40°C	T6 / T60°C
up to 60°C	T6 / T74°C
up to 80°C	T5 / T94°C
up to 110°C	T4 / T125°C

ATEX (directive 2014/34/EU) classification of Tapflo TXE pump units:

II 2G IIC T4

Equipment group:	II – all other explosive areas than mines;
Category group:	2 – high level of protection (can be used in zone 1);
Atmosphere:	G – gas;
Explosion group:	IIC – gas group (such as acetylene, hydrogen);
Temperature class:	T4 – in the event of a malfunction, the maximum temperature of a surface that may be exposed to gas T4 = 135°C;

Earth connection of the pump and other equipment

Connect a suitable earth wire to the stainless steel earth connection that is placed on the inside of one of the pump housings. Connect the other end of the earth wire to earth and also make sure that other equipment like hoses/pipes/containers etc. are properly earthed/connected.

Dry run in ATEX pump

ATEX approved pumps can run dry without increasing the risk of creating potential ignition sources. Nevertheless, dry run periods should be decreased to minimum as they increase the wear of parts inside of the pump.

1. INSTALLATION

Centerblock temperature control

In ATEX applications it is essential to monitor the centerblock temperature. In case of failure the temperature can rise and the pump has to be stopped immediately.

Gearmotor maintenance intervals

The ATEX rated gearmotors have to undergo a general overhaul based on the below maintenance intervals:

Pump size	Motor power	Maintenance interval
TE50/70/80	0.55 kW; 0.75 kW	40.000 hours
	0.25 kW	14.500 hours
TE100/120/125	1.5 kW; 1.1 kW	18.350 hours
	0.55 kW	35.200 hours
TE200/220/225	3.0 kW; 2.2 kW; 1.1 kW	12.500 hours

1.8.3. Electrical safety



Do not carry out any maintenance or/and operation on the pump while it is running or before it has been disconnected from the power supply. Avoid any danger caused by electric power (for details see current regulations in force). Check that electrical specifications on the data plate are equivalent to the power supply to which it will be connected.

1.8.4. Chemical hazard



Whenever the pump is to be used for pumping a different liquid, it is essential to clean the pump beforehand in order to avoid any possible reaction between the two products.

1.8.5. Air pressure

The pump is equipped with an air treatment system mounted on the side housing of the pump. The diaphragm is balanced by means of a support plate and **does not require compressed air to operate**.

When discharge pressure is below 4 bar, pump **can** work without air support to the diaphragm. Nevertheless over 2 bar on discharge we recommend to use air support for optimal diaphragm lifetime. Below 2 bar we recommend not to use air support.

The air pressure on the output of the filter-regulator should be set to $1,5 \pm 0,2$ bar. Do not exceed the recommended air pressure.

Discharge pressure	Air side back-up
0 – 2 bar	Not recommended
2 – 4 bar	Recommended

As prevention purpose, a filtration of the air by means of a 5 micron filter or finer is recommended. Recommended air quality according to PN-ISO8573-1:2010 is particles class 6, water class 4 and oil class 4. Dirt or oil in the air can under unfortunate circumstances be the cause of a breakdown.

ATTENTION!

If air support is utilized, it should only be used during pump operation. When pump has no counter pressure, the air installation should also be relieved of pressure. Failure to do so may result in premature diaphragm failure.

1. INSTALLATION

1.8.6. Noise level



At tests, the noise level from a Tapflo pump has not exceeded 80 dB(A). Under some circumstances, for example if the pump is operating under high speed, the noise can be inconvenient or hazardous for personnel staying for long periods in the vicinity of the pump. This hazard can be prevented by:

- using suitable ear protection;
- lowering the speed of the pump;
- using elastomer valve balls (EPDM, NBR or polyurethane) instead of PTFE, ceramic or stainless steel, provided that the elastomer is compatible with the pumped liquid.

1.8.7. Temperature hazards



➤ Raised temperature can cause damage on the pump and/or piping and may also be hazardous for personnel in the vicinity of the pump/piping. Avoid quick temperature changes and do not exceed the maximum temperature specified when the pump was ordered. See also general max temperatures based on water in chapter 6 "DATA".

➤ When the pump is exposed to ambient temperature variations or if there is big difference between the temperature of the product and the surrounding, the tightening torques of the housing nuts should be checked periodically as part of preventive maintenance (please contact Tapflo for interval proposals). Ambient temperature limits are from -20°C to +40°C.



➤ If a hot product is pumped, the pump should not stand still when filled for a longer period of time. This could cause leakage from the pump.

➤ Below 0°C (32°F) plastic materials become more fragile what can cause accelerated wear of parts made of these materials. This is a hazard that has to be accepted when pumping such cold products. Also in such case, when a pump is not operational it should be drained of all liquid.

➤ Bear in mind that the viscosity of the product changes with temperature. This has to be taken into consideration when selecting the pump.

➤ The fluid remaining in the connected piping, as well as in the pump itself, may expand because of freezing or heat, which may cause damage to the pump or/and piping, and lead to leakage of the fluid.

➤ Some parts of the TE pump can become hot during operation and cause burns, therefore make sure to use appropriate protection when handling the pump.

1.8.8. Rotating parts

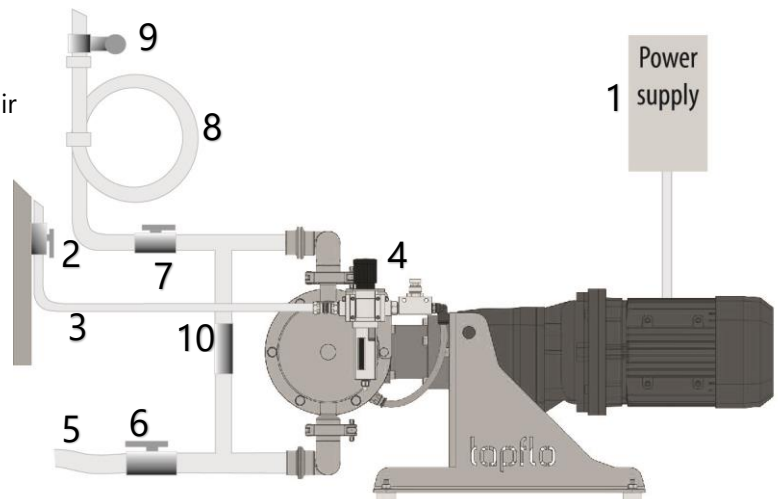


Do not tamper with the protection of the rotating parts, do not touch or approach rotating parts in movement.

1. INSTALLATION

1.9. Example of installation

1. Motor power supply
2. Gate valve – compressed air
3. Flexible hose
4. Air treatment system
5. Flexible piping
6. Gate valve suction
7. Gate valve discharge
8. Coiled flexible piping
9. Flow gauge
10. Safety valve



1.10. Recommended installations

The Tapflo pump is flexible in the way you are able to install it.

1.10.1. Flooded



The piping system is designed with a positive suction head. This is the best way of installation where it is necessary to completely evacuate all liquid from the container, or where viscous (thick) products are transferred.

NOTE! Do not exceed 0,7 bar suction pressure! Higher pressure may cause premature diaphragm failure and irregular pump operation.

1.10.2. Self-priming

The Tapflo pump is designed to pull a high vacuum. It is able to evacuate an empty suction pipe without any damage to the pump. The suction lift is up to 3.5 meters (11.5 ft.) from an empty suction pipe and up to 8 meters (26.2 ft.) from a wetted pipe.



NOTE!

Even if all above safety instructions are met and complied with, there still exists a minor danger in the event of a leakage or mechanical damage of the pump. In such case the pumped product can emerge on sealing areas and connections.

1.11. Instruments



In order to ensure a proper control of the performance and the conditions of the installed pump, we recommend using the following instruments:

- a pressure-vacuum gauge on the suction piping;
- a pressure gauge on the discharge piping.

The pressure intakes must be made of straight pieces of piping at a distance of minimum five diameters from the pump inlets. The pressure gauge on discharge must always be fitted between the pump and the regulation valve. The output can be read on the pressure gauge, transformed into meters and then compared with the typical curves.

1. INSTALLATION

1.11.1. Electric power

The electric power absorbed by the motor can be measured by means of a wattmeter or an amp gauge.

1.11.2. Optional instruments

The optional instruments can indicate if pump is working in an abnormal way. The abnormal conditions can be caused by: accidentally closed valves, lack of pumped liquid, overloads, etc.

1.11.3. Thermometer

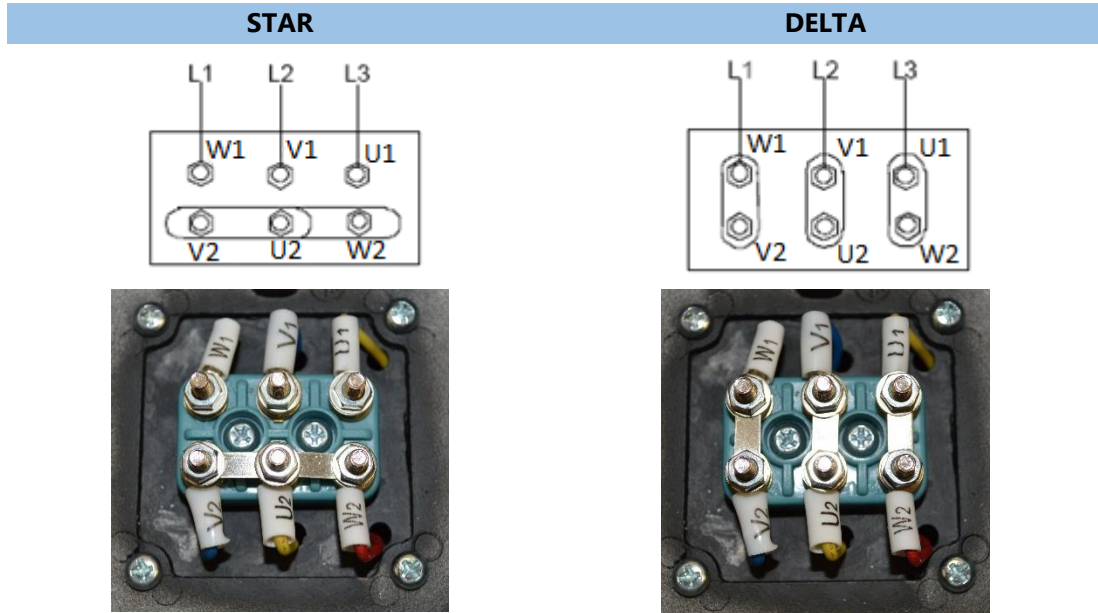
If the temperature of the pumped liquid is a critical parameter, provide the installation with a thermometer (preferably on the suction side).

1. INSTALLATION

1.12. Motor connection



An expert electrician must always carry out the electrical connection. Compare the power supply with the data plate specifications and then choose a suitable connection. The type of connection is stated on the motor data plate and can be Y (star) or D (Delta), according to the power supply of the motor (see figure below).



Follow the connection standard used in the plant. In no case connect the electrical motor directly to supply network but use a suitable electric switchboard equipped with a knife switch and suitable safety devices (e.g. motor breaker switches) in the power circuit. Safety devices against overloads must also protect the motors. Make sure that the motor has suitable grounding and that it has been connected properly.

1. INSTALLATION

1.13. Gear-motor standard

As a standard Tapflo EODD pump are equipped with gear-motors of the following parameters:

- International Mounting Arrangement – **B5**
- Number of poles / Rotation speed [rpm] – **4 / 1400**
- **Non ATEX***
- Protection grade – **IP55**
- Voltage – **3 phase**
- Efficiency class – **IE3**
- Gear ratio – **i=8.2÷25.85**
- Output rpm – **53÷172 @ 50 Hz**
- Thermal protection – **PTC**

Gear-motor manual:

- [Standard](#)
- [ATEX](#)

* If ATEX pump is selected standard ATEX rating is:

- **Gearbox – II 2G Ex h IIC T4 Gb**
- **Electric motor – II 2G Ex db eb IIC T4 Gb**

TE(...)50...; TE(...)70...; TE(...)80...;

Motor power	-	Gear ratio	Output RPM	Voltage	Frequency
0.75 kW	4 poles	8.22	172	Δ230 / Y400	50 Hz
	4 poles		206	Y460	60 Hz
0.55 kW	4 poles	12.96	106	Δ230 / Y400	50 Hz
	4 poles		127	Y460	60 Hz
0.25 kW	4 poles	24.8	56	Δ230 / Y400	50 Hz
	4 poles		67	Y460	60 Hz

TE(...)100...; TE(...)120...; TE(...)125...;

Motor power	-	Gear ratio	Output RPM	Voltage	Frequency
1.5 kW	4 poles	8.22	172	Δ230 / Y400	50 Hz
	4 poles		206	Y460	60 Hz
1.1 kW	4 poles	12.96	110	Δ230 / Y400	50 Hz
	4 poles		132	Y460	60 Hz
0.55 kW	4 poles	25.85	53	Δ230 / Y400	50 Hz
	4 poles		63	Y460	60 Hz

TE(...)200...; TE(...)220...; TE(...)225...;

Motor power	-	Gear ratio	Output RPM	Voltage	Frequency
3.0 kW	4 poles	8.92	164	Δ230 / Y400	50 Hz
	4 poles		197	Y460	60 Hz
2.2 kW	4 poles	13.67	107	Δ230 / Y400	50 Hz
	4 poles		128	Y460	60 Hz
1.1 kW	4 poles	24.58	58	Δ230 / Y400	50 Hz
	4 poles		69	Y460	60 Hz

2. OPERATION

2. OPERATION

2.1. Before starting the pump



- Make sure the pump is installed according to the installation instruction (chapter 1).
- Filling of the pump with liquid before start is not necessary.
- Check manually that the motor is free to turn, moving the motor cooling fan.
- Make sure that the piping is not clogged and is free from residues or foreign objects.
- The suction shut-off valve (if any) must be completely open.
- The shut-off valve on the discharge side (if any) must be completely opened.
- Any auxiliary connections must all be connected.
- When installation is new or reinstalled, a test run of the pump with water should be conducted to make sure that the pump operates normally and does not leak.
- When installation is new or reinstalled, check the pump housing nuts tightening torque (see chapter 5.5 "Tightening torques"). After approximately one week of operation, the torque should be checked again. This is important to prevent possible leakage.
- Starting the electrical motor makes the pump run at full capacity!

2.2. Starting and operation



Open the discharge valve and start the electric motor. The pump must not run with completely closed discharge – these conditions can seriously damage the pump and cause injury to the operator.

If the pressure shown on the pressure gauge on the discharge piping does not increase, turn off the pump immediately and release pressure carefully. Repeat the connection procedure.



Make sure that pressure on the discharge does not exceed 4 bar!

A device must be incorporated into the pump, system, or drive, to prevent the pump exceeding the above stated pressure. Do not allow the pump to operate with a closed/blocked discharge unless a pressure relief device is installed.

A pressure relief valve must be assembled obligatory on the discharge side by the customer.

Pump can be equipped with such a safety device on customer's request.

If there are changes of flow rate, head, density, temperature or viscosity of the liquid, stop the pump and get in touch with our technical service.

Note! Considering the suction capacity when air is still in the suction pipe, it is recommended to start with low speed (using a frequency inverter) at the beginning. At 50 Hz, rise up and shut down should be set to 5 seconds. This is not necessary if the pump is filled with liquid before start.

When the pump has been filled with liquid, the speed may be raised in order to increase the suction capacity of the pump. Remember that suction capacity is higher when pump runs slowly.

2. OPERATION

The performance of the pump can be adjusted by means of a frequency inverter. The pump operation does not depend upon the direction of rotation and can achieve full capacity in both directions of rotation.

2.2.1. Dry running

Although the pump is prepared for dry running it is important to have in mind that long periods of dry run may cause damage to the wearing parts of the pump. What is more, an empty pump should operate at low speeds – controlled by a frequency inverter.

2.2.2. Dead head



The pump cannot operate with closed discharge valve. This may lead to pump malfunction and cause injury to operators in the vicinity of the pump.

The discharge pressure can never exceed 4 bar.

2.2.3. Optimization of the pump lifetime

- Continuous operation at higher frequency than 50 Hz will cause premature wear of the components. As a general rule, we recommend to run the pump at $\pm 20\%$ of the rated frequency.
- When the pump is shut down while pumping a liquid containing particles, the particulate matter contained in the liquid will be deposited and get stuck inside the pump chamber. Therefore after finishing work the pump must be emptied of the remaining fluid. Otherwise, when starting the pump again, the diaphragm may get damaged and the shaft may bend leading to grub screw fracture.
- When reducing the motor rotation speed, control the gear-motor surface temperature if it does not exceed the nominal working temperatures stated by the gear-motor manufacturer.

2.3. Pump stopping

It is advisable to stop the pump by means of motor shut down. With larger pumps or longer delivery piping water hammering may occur. It is therefore advised to install a check valve on the discharge to protect the pump. If a suction shutoff valve has been installed, it is advisable to close it completely after pump is fully stopped.



The pump should be stopped by cutting of electrical power to the motor or frequency inverter (if used – at 50 Hz cool down should be set to 5 seconds).

If pump stoppage exceeds 30 minutes – relief the pressure from the diaphragm air side

NOTE! Never stop the pump by completely closing the discharge valve without motor shut down.

2. OPERATION

2.4. Cleaning and disinfection



Cleaning and disinfection of the pump system is of greatest importance when the pump is used in a food processing installation. Use of a pump system that is NOT cleaned or disinfected can cause contamination of the product. The cleaning cycles as well as chemicals to use for the cleaning vary depending on the pumped product and the process. The user is responsible to establish a suitable cleaning and / or disinfection program according to local and public health and safety regulations.

2.4.1. CIP – Cleaning In Place (Sanitary pumps)



The importance of easy cleaning is especially great in hygienic applications. Tapflo sanitary pumps are designed for CIP (cleaning in place). This allows the pump to be internally cleaned without disassembly. The pump can be cleaned by flushing through with a CIP fluid (usually a mild solution of sodium hydroxide and a sanitizing additive) or by injection of hot steam. The CIP fluid temperature varies, but in the sanitary field, the temperature is usually about 90°C. Make sure that the CIP fluid is compatible with the materials in the pump/piping (consult us for further information).

The solution is passed through the system by either the operation of the pump itself, or by a centralized cleaning system. The CIP fluid must pass through the pump at a minimum velocity of 1.5 m/s in the normal flow direction (from inlet to outlet).

It is recommended to run the pump slowly during CIP. This is to obtain pressure balance on both sides of the diaphragm. Lack of pressure balance will have influence on the pump's lifetime. For more information please contact us.

2.5. Residual risks



Even with proper application and observance of all points listed in this operating manual, there is still an estimable and unexpected residual risk when using the pumps. It may leak, fail due to wear, application-related causes or system-related circumstances.

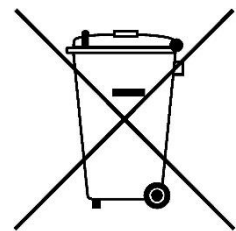
2.6. Disposal after expiration of the expected lifetime

Pump components can be recycled, it must be disposed of properly, according to local regulations. It should be noted that potentially dangerous fluid residues may remain in the pump and can create a hazard to the operator or the environment, therefore the pump has to thoroughly cleaned before disposal.

2.7. Waste of electrical and electronic equipment (WEEE) directive



Users of electrical and electronic equipment (EEE) with the WEEE marking per Annex IV of the WEEE Directive must not dispose of end of life EEE as unsorted municipal waste, but use the collection framework available to them for the return, recycle, recovery of WEEE and minimize any potential effects of EEE on the environment and human health due to the presence of hazardous substances. The WEEE marking applies only to countries within the European Union (EU) and Norway. Appliances



2. OPERATION

are labelled in accordance with European Directive 2002/96/EC. Contact your local waste recovery agency for a designated collection facility in your area.

2.8. Actions in emergency



In case of a leakage of an unknown fluid, respiratory protection should be worn and contact with the fluid avoided. During firefighting, no special hazards are to be expected from the pump itself. In addition, the currently handled fluid and the corresponding safety data sheet must be taken into account. When fluid leakage occurs, the air supply has to be closed and the pressure released. During spillage of an aggressive liquid, local and national safety rules must be followed.

3. MAINTENANCE

3. MAINTENANCE



Maintenance work on electrical installations must be performed by qualified personnel and only when the power supply has been shut off. Wait five minutes for capacitor to discharge before opening the pump. Follow the local and national safety regulations.

3.1. Inspections

- Periodically check suction and discharge pressures.
- Inspect the gear-motor according to the instructions from the motor manufacturer.
- Gear oil must be exchanged in accordance with the gear manufacturer instruction manual.

3.2. When the pump is new or reassembled



If the pump is new or reassembled after maintenance it is important to retighten the pump housing nuts (pos. 37) after one week of operation.

Make sure to use the right torque – see chapter 5.5 “Tightening torques”.

3.2.1. Performance test

When installation is new, a test run of the pump should be conducted. Gauge the capacity at specific pump speed. This information is useful for checking performance in the future as wear takes place. You will be able to set schedules for maintenance of the pump and to select spare parts to be kept on stock.

3.3. Routine inspection



Frequent observation of the pump operation is recommended to detect problems. Leaking air or liquid from the pump and changes of performance, as well as abnormal noises, can be indication of worn parts or pump malfunction (see chapter 3.5 “Location of faults” below). We recommend to conduct a daily check and keep records of the following:

- Any leakage from the pump,
- Tightness of all pump fasteners,
- Complete inspection in regular intervals has been done.

In case any of the above is not fulfilled, do not start the pump and implement corrective actions.

Establish a preventive maintenance schedule based on the pump’s service history. Scheduled maintenance is especially important to prevent spills or leakage due to diaphragm failure.

Inspect and replace bearing and/or gear-motor shaft extension if failure is suspected.

Inspect and replace set screw bearing, set screw and diaphragm shaft if failure is suspected.

3. MAINTENANCE

3.4. Complete inspection



The intervals for a complete inspection depend upon the operation conditions of the pump. The characteristics of the liquid, temperature, materials used in the pump and running time decide how often a complete inspection is necessary.

Nevertheless, Tapflo recommend to inspect the pump at least once a year and change parts from KIT AIR and KIT LIQ during this inspection. See chapter 5.11 "Stocking recommendation" for detailed KIT content.

If a problem has occurred, or if the pump is in need of a complete inspection, refer to chapters 3.4 "Location of faults" and 3.5, 3.7 "Dismantling of the pump". You are of course warmly welcome to consult Tapflo for further help.

Parts that are subject to wear should be kept in stock, see our recommendations in chapter 4.7 "**Błąd! Nie można odnaleźć źródła odwołania.**".

3. MAINTENANCE

3.5. Location of faults

PROBLEM	POSSIBLE ISSUE	POSSIBLE SOLUTION
Pump does not run	Dirt in the pump chamber Diaphragm breakdown	Remove debris from the chambers Replace diaphragm
The suction is bad	Suction connection is not tight Suction connection is blocked Valve balls are blocked or damaged Valve seats are worn Pump starts at too high speed Air in suction / discharge line	Tighten the suction line Clean suction line Check dimensions and shape of valve balls Check dimensions and shape of valve seats Start the pump slowly (see chapter 2.2) Vent suction / discharge line
The pump runs irregular	Valve balls are blocked Sealing in centre block Diaphragm breakdown Valve seats are worn	Check dimensions and shape of valve balls Replace sealing Replace diaphragm Check dimensions and shape of valve seats
Bad flow/pressure	Pressure losses on suction side Suction blocked Valve ball worn or broken Valve seats are worn Air in liquid Diaphragm breakdown	Check/change installation on suction side Check / clean suction connection Check dimensions and shape of valve balls Check dimensions and shape of valve seats Seal suction line; check / refill container Check / replace diaphragms
Liquid leaks from the pump	Screws on the housing not properly tightened O-rings on manifolds damaged Damaged diaphragm Tension / stress from the installation	Check tightening torques of the screws Replace O-rings Check / replace diaphragms Adjust installation, eliminate stress, when using a dampener provide separate support for it (see dampener IOM manual).
Liquid comes out of the hole in the coupling cover	Diaphragm breakdown	Replace diaphragm
Diaphragm breakdown	Wrong selection of material Long periods of dry running Too high pressure on suction side	Contact us for information on material selection When dry, run pump slowly (see chapter 2.2) Make sure there is pressure balance between the air and liquid side of the diaphragm
Overheating of motor	Flow rate too high Liquid parameters different than calculated	Reduce the flow / rotation speed of the motor Check pumped liquid parameters
Overheating of the pump	Flow rate too high Liquid temperature too high Foreign objects in the liquid Pump is not filled with liquid	Reduce the flow / rotation speed of the motor Cool the liquid Use a filter on the suction side Fill pump with liquid
Noise and vibration	The pump sucks air Suction pipe is blocked Flow rate too high Loads on the pipes Foreign objects in the liquid Liquid parameters different than calculated	Make sure all connections are tight Check pipes / valves and filters on suction line Reduce the flow / rotation speed of the motor Connect the pipes independent of the pump Use a filter on the suction side Checked pumped liquid parameters
Abnormal wear	The pump sucks air Liquid temperature too high Loads on the pipes Foreign objects in the liquid	Make sure all connections are tight Cool the liquid Connect the pipes independent of the pump Use a filter on the suction side

3. MAINTENANCE

3.6. Disassembly of the pump

The numbers put in brackets, refer to the part numbers in the spare part drawings and spare part lists in chapter 5. "Spare parts".



The disassembly should be performed only by qualified personnel. There should always be at least two persons present during disassembly.



Each operation to be fulfilled with the machine must always be carried out once all the electrical contacts have been disconnected. The pump-motor unit must be placed in a position where it cannot be started unintentionally.



Before servicing in any way the parts that come in contact with the pumped liquid, make sure that the pump has been fully emptied and washed. When draining the liquid, make sure that there is no danger for people or the environment.

For disassembly of the liquid side of the pump refer to the appropriate IOM manual (Plastic, Metal, Sanitary).

3.6.1. Before the disassembly procedure



Be sure to drain all liquid from the pump. Cleanse or neutralize the pump thoroughly. Disconnect the electrical connection, air supply and then the suction and discharge connections.

3.6.2. Disassembly procedure

NOTE! For disassembly of the pump liquid side, please refer to the adequate IOM pump series manual:

- IOM Manual – PE and PTFE diaphragm pumps
- IOM Manual – Metal series diaphragm pumps
- IOM Manual – Sanitary Series

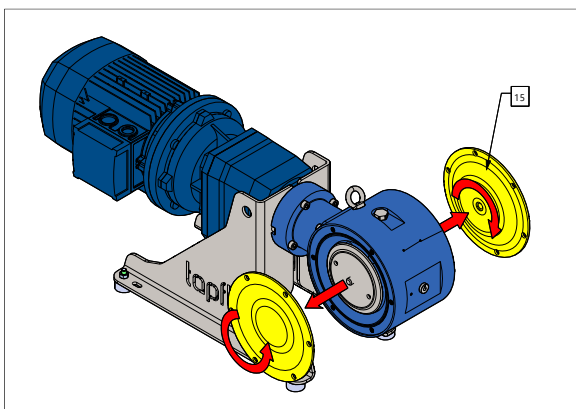


Fig. 3.6.1
Unscrew both diaphragms [15] from the pump centre section.

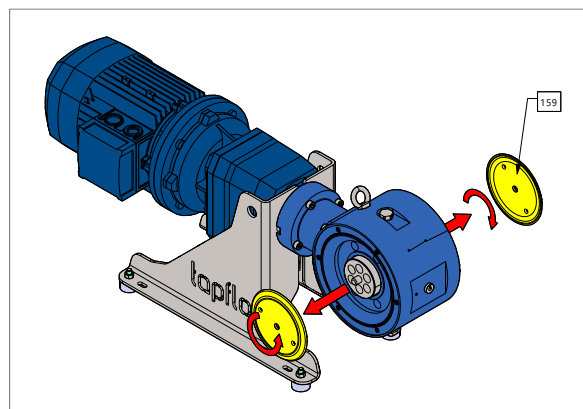


Fig. 3.6.2
Unscrew both diaphragm back-up discs [159] from the pump centre section.

3. MAINTENANCE

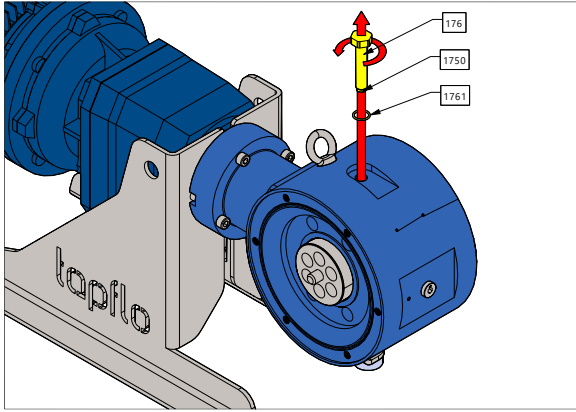


Fig. 3.6.3
Unscrew the set screw [176] and remove it along with the roller bearing [1750]. Take out the O-ring [1761].

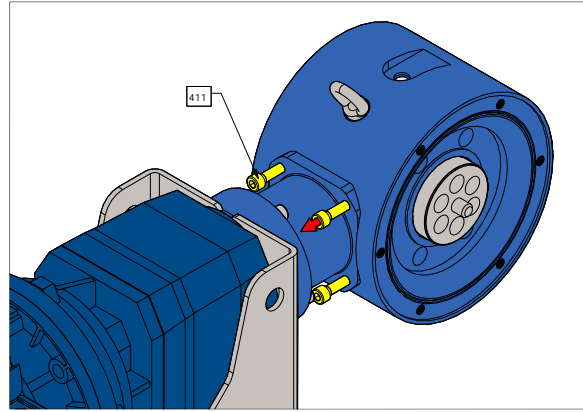


Fig. 3.6.4
Unscrew four coupling cover mounting screws [411].

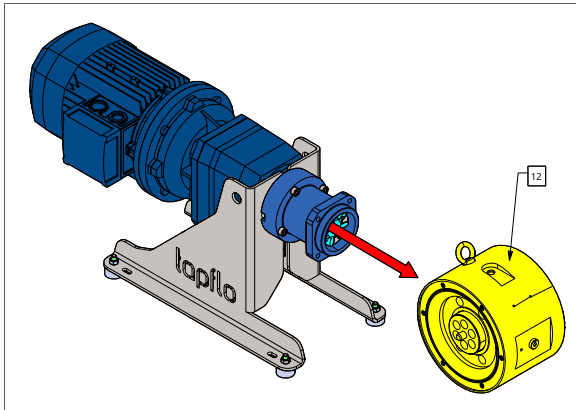


Fig. 3.6.5
Detach the centre block assembly [12] from the coupling.

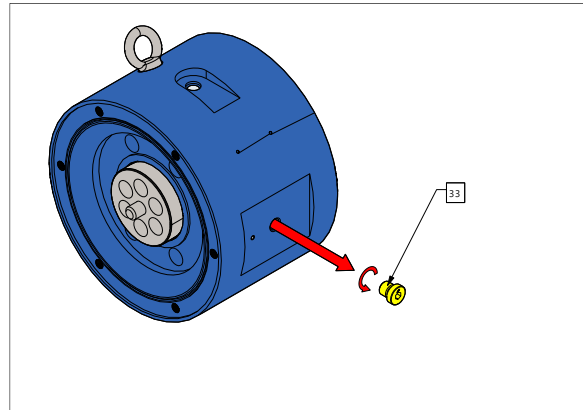


Fig. 3.6.6
Unscrew the centre block plug [33].

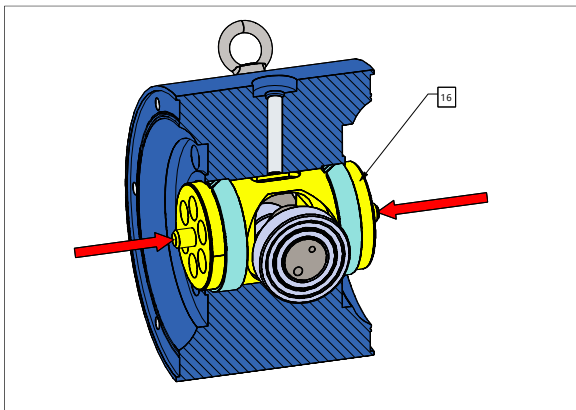


Fig. 3.6.7
By hand, align the diaphragm shaft [16] in the middle of the centre section. This is necessary to allow extraction of the shaft extension.

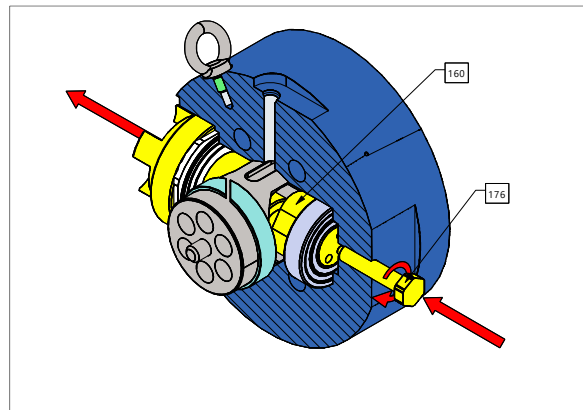


Fig. 3.6.8
Use a suitable steel shaft to press out the gear-motor shaft [160] from the centre section. Be careful not damaged the threads.

3. MAINTENANCE

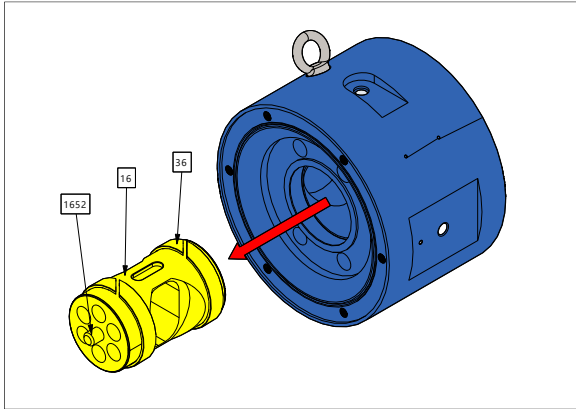


Fig. 3.6.9
Remove the diaphragm shaft [16] along with the grub screws [1652] and wear rings [36] from the centre section.

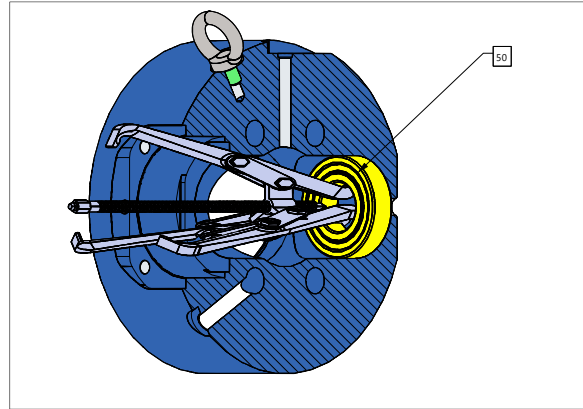


Fig. 3.6.10
If necessary, using a bearing puller remove the fixed bearing [50] from the centre section.

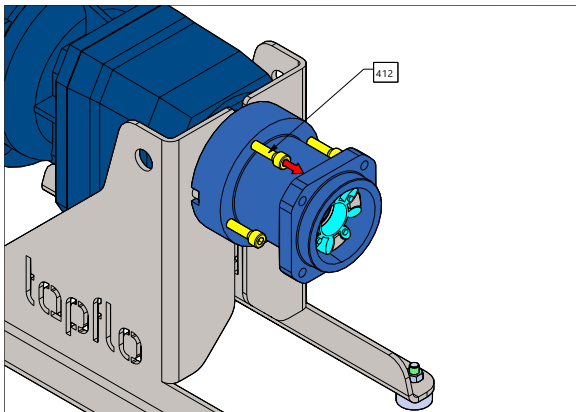


Fig. 3.6.11
Unscrew four coupling cover mounting screws [412].

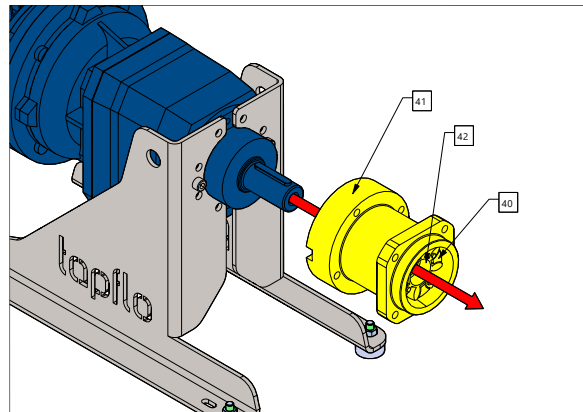


Fig. 3.6.12
Remove the coupling cover [41] along with the motor side coupling [40] and the coupling insert [42] from the gear-motor shaft.

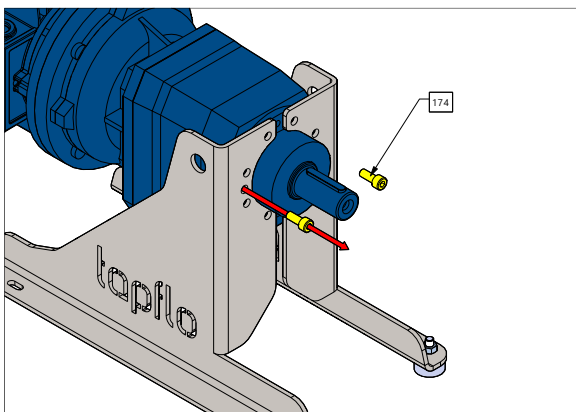


Fig. 3.6.13
Unscrew two stand mounting screws [174].

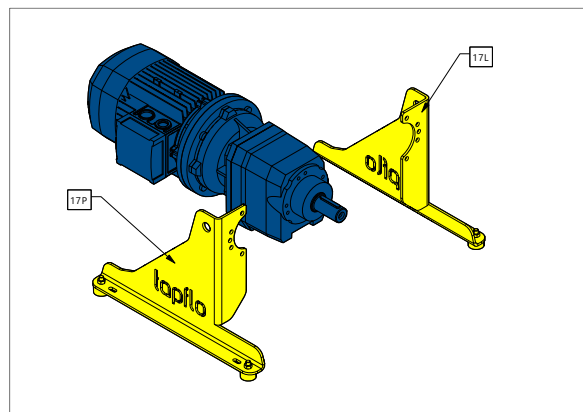


Fig. 3.6.14
Remove both stands [17L] [17R] from the gear-motor.

The pump is now completely disassembled. Check all components for wear or damage and replace if necessary.

3. MAINTENANCE

3.7. Assembly procedure

The assembly procedure is done in the reverse order to the disassembly.

Nevertheless there are a few things that you have to remember in order to assemble the pump correctly.

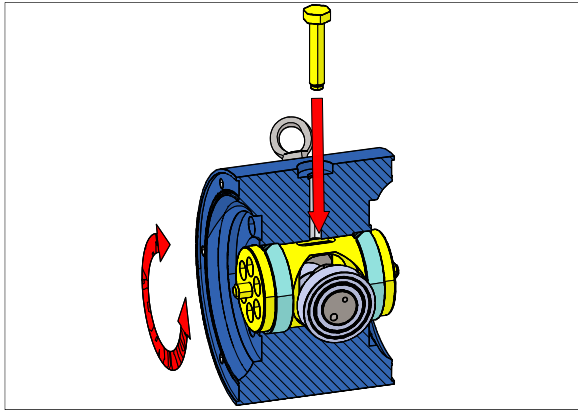


Fig. 3.7.1 Rotate diaphragm shaft left and right to adjust groove with set screw.

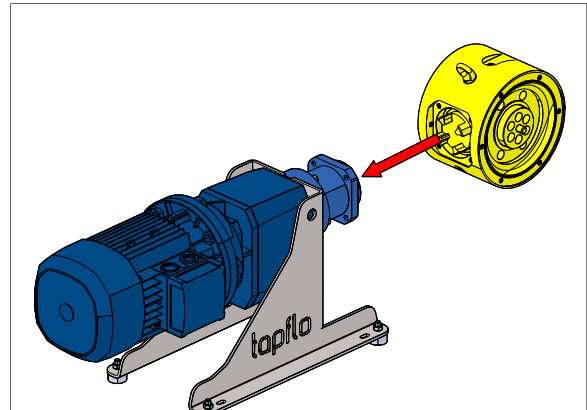


Fig. 3.7.2 Before assembly align coupling spider with gear-motor shaft extension.

3.7.1. Test run



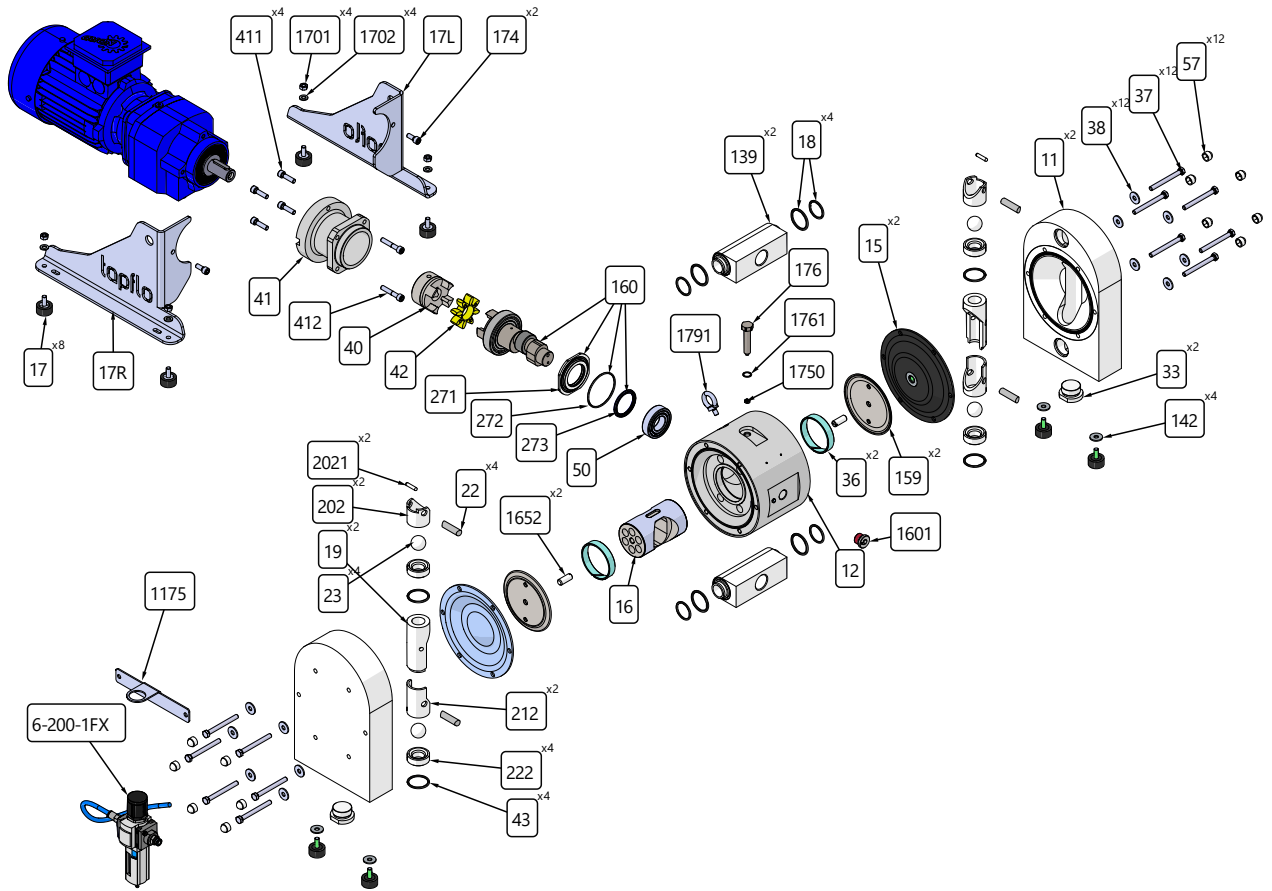
We recommend you to conduct a test run of the pump before installing it in the system, to check if pump does not start or detect possible leaks due to wrong assembly.

After two weeks of operation retighten the nuts with appropriate torque.

4. SPARE PARTS

4. SPARE PARTS

4.1. Exploded view – plastic pumps



4.2. Spare parts list – plastic pumps

Full part number consist of three members, pump type (12 for TE pumps), pump size (e.g. 50, 100, ...) and part position which corresponds to the number in the drawing.

e.g. 12-xxx-12

12 – TE pump

xxx – pump size

12 – part position

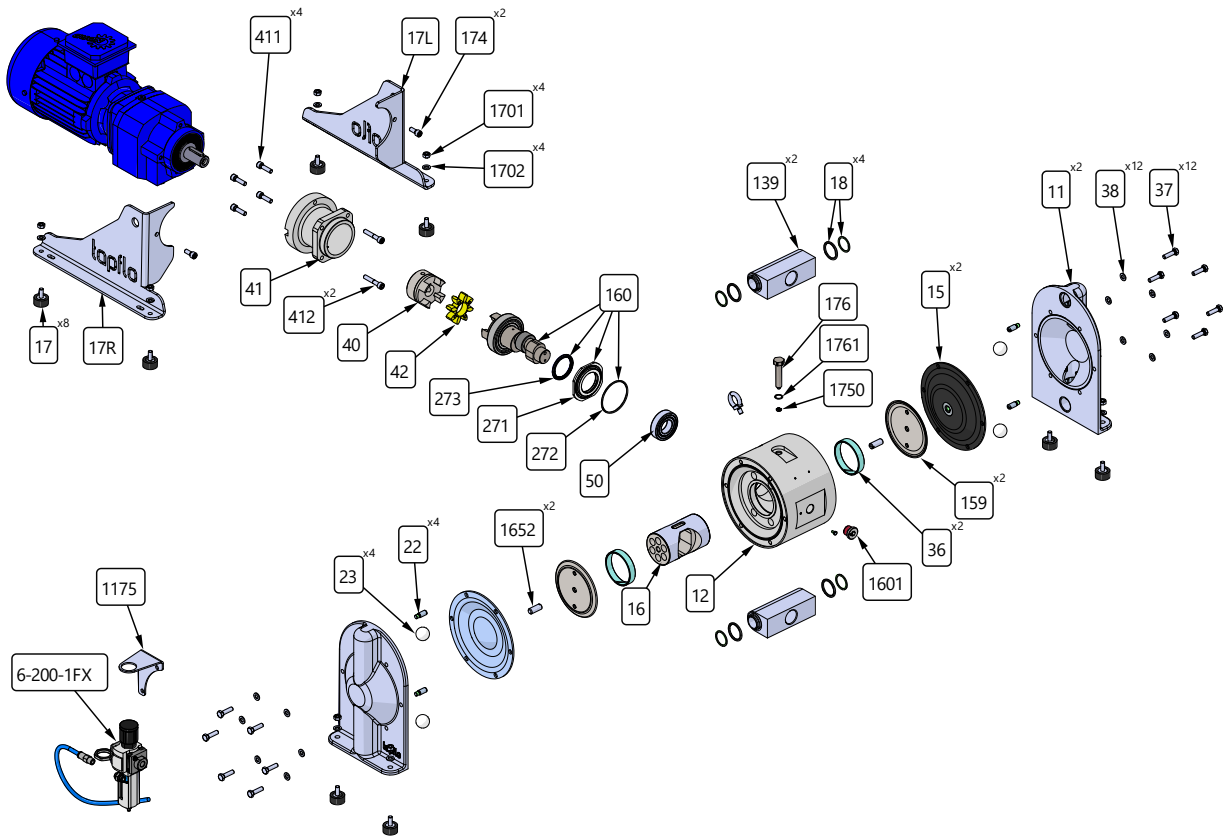
Pos.	Q-ty	Description	Material
11	2	Housing	PE, PTFE
1175	1	Air treatment system mounting bracket	AISI 304
12	1	Center block	PA6 anodized aluminum
139	2	Manifold	PE, PTFE
142	4	Foot washer	A4-70
15	2	Diaphragm	EPDM, PTFE, NBR, FKM
159	2	Diaphragm support plate	AISI 316L
16	1	Diaphragm shaft	Stainless steel
160	1	Gear-motor shaft extension + fixing plate O-ring and gasket	Coated carbon steel
1601	1	Center block plug	Stainless Steel
1652	2	Diaphragm grub screw	Carbon Steel

4. SPARE PARTS

17	8	Rubber feet	NBR
17L	1	Stand – left	AISI 304
17R	1	Stand – right	AISI 304
1701	4	Rubber feet mounting nut	A4-70
1702	4	Rubber feet mounting washer	A4-70
174	2	Stand mounting screw	A4-70
1750	1	Set screw bearing	-
176	1	Set screw	Coated carbon steel
1761	1	Set screw O-ring	NBR, FKM, EPDM
1791	1	Lifting eye-bolt	A2-70
18	4	O-ring set (in/outlet)	EPDM, FKM, NBR, FEP/FKM
19	2	Spacer sleeve	PE/PTFE
202	2	Upper sleeve	PE, PTFE, AISI 316
2021	2	Blocking pin	PTFE/PE
212	2	Lower sleeve	PE, PTFE, AISI 316L
22	4	Valve ball stop	PE1000, PTFE, PU, AISI 316L
222	4	Valve seat	PE1000, PTFE, PU, AISI 316L
23	4	Valve ball	EPDM, PTFE, NBR, FKM, AISI 316L, PU or ceramic
33	2	Housing plug	PE
36	2	Diaphragm shaft wear ring	PTFE
37	12	Housing screw	A4-70
38	12	Housing washer	A4-70
40	1	Coupling – motor side	C45 Steel
41	1	Coupling cover	PA6 aluminum
411	4	Coupling cover mounting screw – c/b side	A4-70
412	2	Coupling cover mounting screw – c/b side	A4-70
42	1	Coupling insert	PUR
43	4	O-ring (valve seat)	EPDM, PTFE, NBR, FKM
50	1	Bearing	-
57	12	Bolt cap	PP
6-200-1FX	1	Filter Regulator	-

4. SPARE PARTS

4.3. Exploded view – aluminium pumps



4.4. Spare parts list – aluminium pumps

Full part number consist of three members, pump type (12 for TE pumps), pump size (e.g. 50, 100, ...) and part position which corresponds to the number in the drawing.

e.g. **12-xxx-12**

12 – TE pump

xxx – pump size

12 – part position

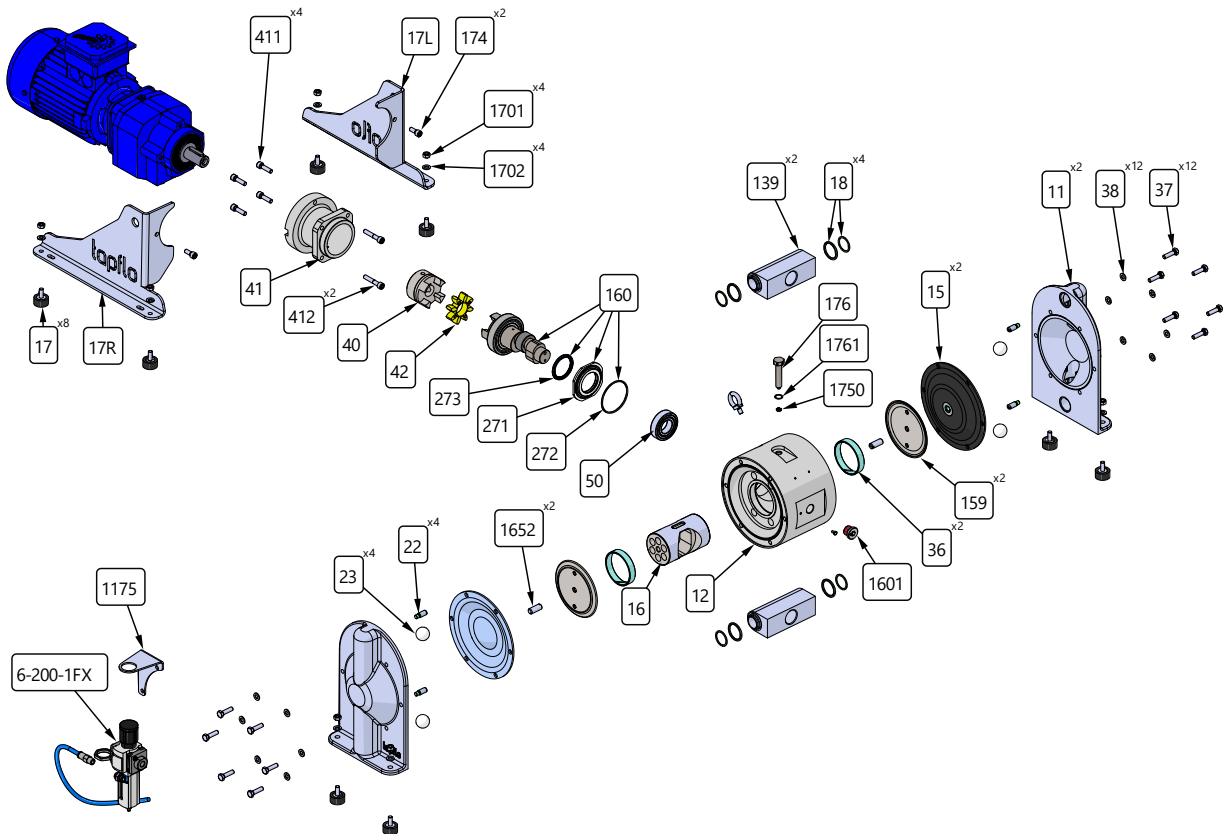
Pos.	Q-ty	Description	Material
11	2	Housing	AK9 aluminium
1175	1	Air treatment system mounting bracket	AISI 316L
12	1	Center block	PA6 anodized aluminum
139	2	Manifold	PA6 aluminium
15	2	Diaphragm	EPDM, PTFE, NBR, FKM
159	2	Diaphragm support plate	AISI 316L
16	1	Diaphragm shaft	Stainless steel
160	1	Gear-motor shaft extension + fixing plate O-ring and gasket	Coated carbon steel
1601	1	Center block plug	Stainless Steel
1652	2	Diaphragm grub screw	Carbon Steel
17	8	Rubber feet	NBR
17L	1	Stand – left	AISI 304
17R	1	Stand – right	AISI 304
1701	8	Rubber feet mounting nut	A4-70

4. SPARE PARTS

1702	8	Rubber feet mounting washer	A4-70
174	2	Stand mounting screw	AISI 316L
1750	1	Set screw bearing	-
176	1	Set screw	Coated carbon steel
1761	1	Set screw O-ring	NBR, FKM, EPDM
18	4	O-ring set (in/outlet)	Klinger/NBR
22	4	Valve ball stop	AISI 316L
23	4	Valve ball	EPDM, PTFE, NBR, FKM, AISI 316L, PU or ceramic
36	2	Diaphragm shaft wear ring	PE
37	12	Housing screw	A4-70
38	12	Housing washer	A4-70
40	1	Coupling – motor side	C45 Steel
41	1	Coupling cover	PA6 aluminum
411	4	Coupling cover mounting screw – c/b side	A4-70
412	2	Coupling cover mounting screw – c/b side	A4-70
42	1	Coupling insert	PUR
50	1	Bearing	-
6-200-1FX	1	Filter Regulator	-

4. SPARE PARTS

4.5. Exploded view – steel pumps



4.6. Spare parts list – steel pumps

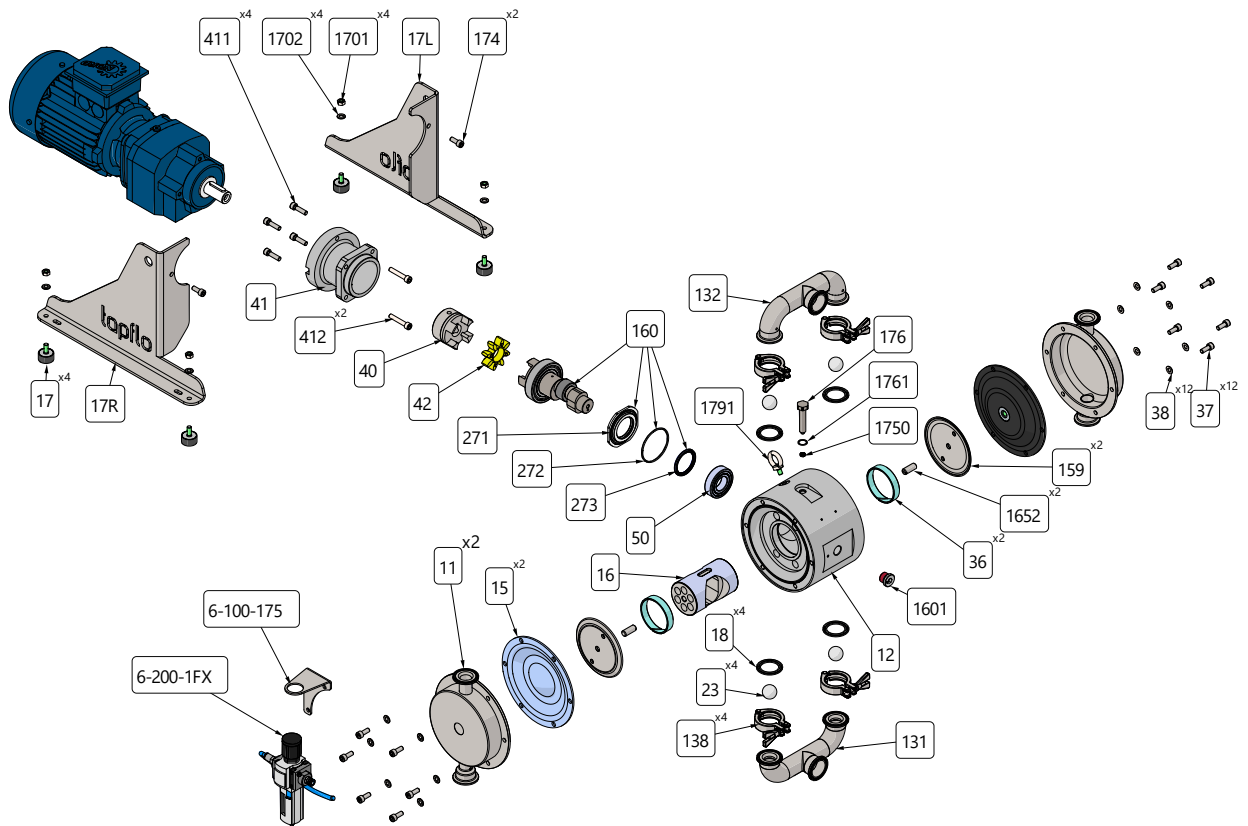
Pos.	Q-ty	Description	Material
11	2	Housing	AISI 316L
1175	1	Air treatment system mounting bracket	AISI 316L
12	1	Center block	PA6 anodized aluminum
139	2	Manifold	AISI 316L
15	2	Diaphragm	EPDM, PTFE, NBR, FKM
159	2	Diaphragm support plate	AISI 316L
16	1	Diaphragm shaft	AISI 304L
160	1	Gear-motor shaft extension + fixing plate O-ring and gasket	Coated carbon steel
1601	1	Center block plug	Stainless Steel
1652	2	Diaphragm grub screw	Carbon Steel
17	8	Rubber feet	NBR
17L	1	Stand – left	AISI 304
17R	1	Stand – right	AISI 304
1701	8	Rubber feet mounting nut	A4-70
1702	8	Rubber feet mounting washer	A4-70
174	2	Stand mounting screw	A4-70
1750	1	Set screw bearing	-
176	1	Set screw	Coated carbon steel
1761	1	Set screw O-ring	NBR, FKM, EPDM
1791	1	Lifting eye-bolt	A2-70

4. SPARE PARTS

18	4	O-ring set (in/outlet)	FEP/FKM
22	4	Valve ball stop	AISI 316L
23	4	Valve ball	EPDM, PTFE, NBR, FKM, AISI 316L, PU or ceramic
36	2	Diaphragm shaft wear ring	PE
37	12	Housing screw	A4-70
38	12	Housing washer	A4-70
40	1	Coupling – motor side	C45 Steel
41	1	Coupling cover	PA6 aluminum
411	4	Coupling cover mounting screw – c/b side	A4-70
412	2	Coupling cover mounting screw – c/b side	A4-70
42	1	Coupling insert	PUR
50	1	Bearing	-
6-200-1FX	1	Filter Regulator	-

4. SPARE PARTS

4.7. Exploded view – sanitary pumps



4.8. Spare parts list – sanitary pumps

Full part number consist of three members, pump type (12 for TE pumps), pump size (e.g. 50, 100, ...) and part position which corresponds to the number in the drawing.

e.g. 12-xxx-12

12 – TE pump

xxx – pump size

12 – part position

Pos.	Q-ty	Description	Material
11	2	Housing	AISI 316L
12	1	Center block	PA6 anodized aluminum
131	1	Manifold inlet	AISI 316L
132	1	Manifold outlet	AISI 316L
138	4	3-clamp	AISI 304
15	2	Diaphragm	EPDM, PTFE, NBR, FKM
159	2	Diaphragm support plate	AISI 316L
16	1	Diaphragm shaft	AISI 304L
160	1	Gear-motor shaft extension + fixing plate O-ring and gasket	Coated carbon steel
1601	1	Center block plug	Stainless Steel
1652	2	Diaphragm grub screw	Carbon Steel
17	4	Rubber feet	NBR
17L	1	Stand – left	AISI 304

4. SPARE PARTS

17R	1	Stand – right	AISI 304
1701	4	Rubber feet mounting nut	A4-70
1702	4	Rubber feet mounting washer	A4-70
174	2	Stand mounting screw	A4-70
1750	1	Set screw bearing	-
176	1	Set screw	Coated carbon steel
1761	1	Set screw O-ring	NBR, FKM, EPDM
1791	1	Lifting eye-bolt	A2-70
18	4	O-ring set (in/outlet)	PTFE
23	4	Valve ball	PTFE, AISI316L
271	1	Center block fixing plate	Aluminum PA6
272	1	Fixing plate O-ring	EPDM
273	1	Fixing plate gasket	PTFE/NBR
36	2	Diaphragm shaft wear ring	PE
37	12	Housing screw	A4-70
38	12	Housing washer	A4-70
40	1	Coupling – motor side	C45 Steel
41	1	Coupling cover	PA6 aluminum
411	4	Coupling cover mounting screw – c/b side	A4-70
412	2	Coupling cover mounting screw – c/b side	A4-70
42	1	Coupling insert	PUR
50	1	Bearing	-
6-100175	1	Air treatment system mounting bracket	AISI 316L
6-200-1FX	1	Filter Regulator	-

4. SPARE PARTS

4.9. Stocking recommendation

Even at normal operation some elements in the pump will be worn. In order to avoid expensive breakdowns we recommend having a few spare parts in stock.

Depending on the severity of the operation and the importance of assuring continuous work we offer different spare part KITS (depending on pump material execution): **KIT LIQ** and **KIT VAL** that include parts on pump wetted side.

What is more we recommend to stock the following wear parts:

Pos.	Description	Q-ty
50	Bearing	1
272	Fixing plate O-ring	1
273	Fixing plate gasket	1
1750	Set screw bearing	1
1761	Set screw O-ring	1
42	Coupling insert	1
36	Diaphragm shaft wear ring	2

4.9.1. For plastic pumps:

	Pos.	Description	Q-ty
KIT LIQ	15	Diaphragm	2
	18	O-ring set in/outlet	4
	23	Valve ball	4
	43	O-ring (valve seat)	4

	Pos.	Description	Q-ty
KIT VAL	19	Spacer sleeve	2
	2021	Blocking pin	2
	202	Upper sleeve	2
	212	Lower sleeve	2
	222	Valve seat	4
	22	Valve ball stop	4

4.9.2. For metal industrial pumps:

	Pos.	Description	Q-ty
KIT LIQ	15	Diaphragm	2
	18	O-ring set in/outlet	4
	23	Valve ball	4

4.9.3. For sanitary pumps:

	Pos.	Description	Q-ty
KIT LIQ	15	Diaphragm	2
	18	Sealing	4
	23	Valve ball	4

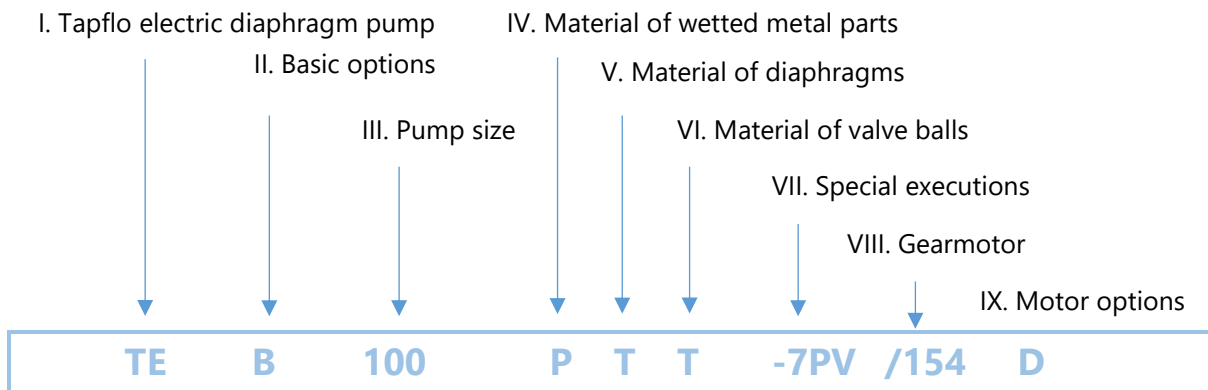
4. SPARE PARTS

4.10. How to order parts

When ordering spare parts for Tapflo pumps, please let us know what is the **model number** and **serial number** from the pump centre body or housing. Then just indicate the part numbers from the spare parts list and quantity of each item.

4.11. Pump code

The model number on the pump and on the front page of this instruction manual tells the pump size and materials of the pump.



I. TE = Tapflo electric double diaphragm pump

II. Basic options:

- B = Backup diaphragm pump
- J = Heating jacket (sanitary series only)
- K = Built-on dampener (plastic and alu pumps only)
- L = Valve lifting system (metal series only)
- T = Twin inlet/outlet pump
- X = ATEX rated pump (zone 1)
- Y = High lift valve seats (plastic series only)

III. Pump size

- 50; 100; 200 = Plastic series
- 70; 120; 220 = Metal series
- 80; 125; 225 = Hygienic series

IV. Material of wetted metal parts:

- P = PE
- T = PTFE
- S = Stainless steel AISI316L
- A = Aluminium

V. Material of diaphragms:

- E = EPDM
- N = NBR (nitrile rubber)
- T = PTFE
- B = PTFE TFM 1705b
- V = FKM
- W = White EPDM
- Z = PTFE with white EPDM back

IV. Material of wetted metal parts

V. Material of diaphragms

VI. Material of valve balls

VII. Special executions

VIII. Gearmotor

IX. Motor options

VI. Material of valve balls:

- E = EPDM
- N = NBR (nitrile rubber)
- T = PTFE
- S = AISI 316 stainless steel
- U = PU (polyurethane)
- K = Ceramic
- V = FKM
- B = PTFE TFM 1635
- P = PE1000
- C = SiC

VII. Special executions:

- 1 = Optional in/outlet material
- 2 = Valve seat insert
- 3 = Optional connection type
- 4 = Backup diaphragm system configuration
- 5 = Other special executions
- 6 = Optional material of centre body
- 8 = Optional material of pos. 18 seals
- 9 = Optional material of housing pin screws
- 10 = Valve lifter sealing material
- 11 = Housing reinforcement plates
- 12 = Twin in-/outlet options

VIII. Gearmotor

- 024 = 0.25 kW
- 054 = 0.55 kW
- 074 = 0.75 kW
- 114 = 1.1 kW
- 154 = 1.5 kW
- 224 = 2.2 kW
- 304 = 3.0 kW

IX. Motor options

- M = Hygienic motor shroud
- C = External motor cooling
- D = Built-on frequency inverter
- X2DE = II 2G Ex db 39e IIC T4 Gb
- P = Single phase motor

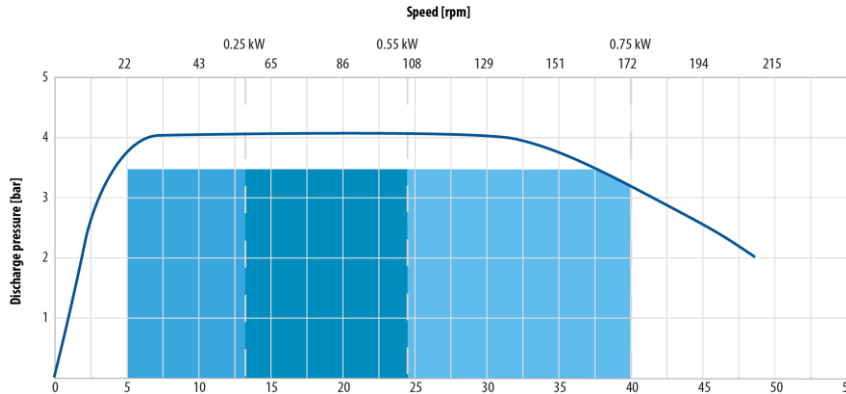
5. DATA

5. DATA

5.1. Capacity curves

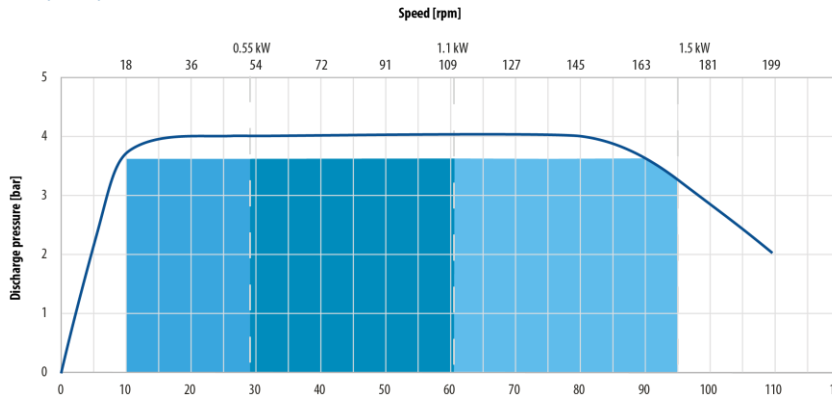
The performance curves are based on water at 20°C. Other circumstances might change the performance. See below how the capacity will change at different viscosities and suction lifts.

T50 | T70 | T80



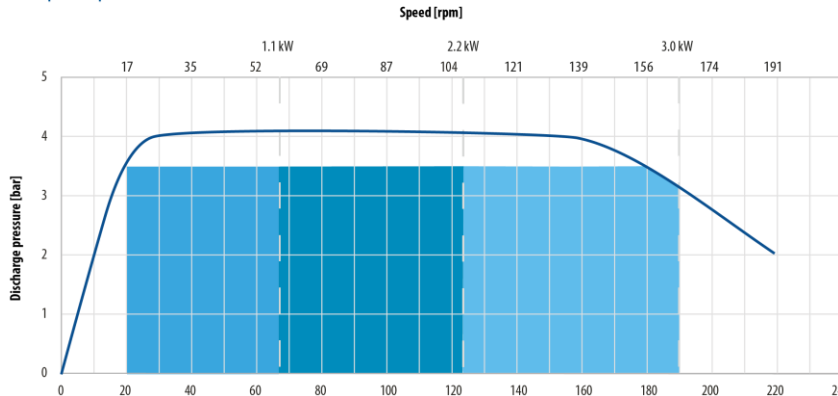
TE50/70/80		
Motor power	Rpm @ 50Hz	Flow @ 50 Hz
0.75 kW	172	40 l/min
0.55 kW	106	24 l/min
0.25 kW	56	13 l/min

T100 | T120 | T125



TE100/120/125		
Motor power	Rpm @ 50Hz	Flow @ 50 Hz
1.5 kW	172	95 l/min
1.1 kW	110	61 l/min
0.55 kW	53	29 l/min

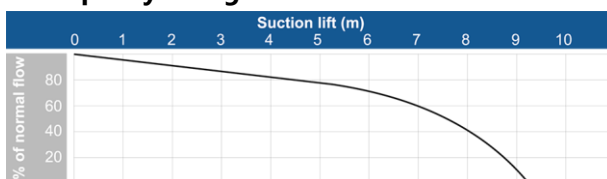
T200 | T220 | T225



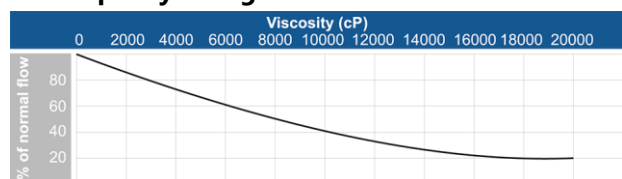
TE200/220/225		
Motor power	Rpm @ 50Hz	Flow @ 50 Hz
3.0 kW	164	189 l/min
2.2 kW	107	123 l/min
1.1 kW	58	67 l/min

5.2. Capacity changes

Capacity changes at different suction lifts



Capacity changes at different viscosities



5. DATA

5.3. Technical data

TECHNICAL DATA	PUMP TYPE					
	TE50 P	TE100 P	TE200 P	TE50 T	TE100 T	TE200 T
Max capacity* [l/min] / [US GPM]	48 / 12.7	110 / 29	220 / 58.1	48 / 12.7	110 / 29	220 / 58.1
Max air pressure [bar] / [psi]	1.5 / 22	1.5 / 22	1.5 / 22	1.5 / 22	1.5 / 22	1.5 / 22
Max discharge pressure [bar] / [psi]	4 / 58	4 / 58	4 / 58	4 / 58	4 / 58	4 / 58
Max suction lift dry** [m] / [Ft]	4.5 / 14.8	4.6 / 15.1	3 / 9.8	4.5 / 14.8	4.6 / 15.1	3 / 9.8
Max suction lift wet [m] / [Ft]	8 / 26	8 / 26	8 / 26	8 / 26	8 / 26	8 / 26
Max size of solids ø in [mm] / [in]	4 / 0.16	6 / 0.24	10 / 0.39	4 / 0.16	6 / 0.24	10 / 0.39
Maximum pump speed [cycles per minute]	172 @ 50Hz		164@50Hz	172 @ 50Hz		164@50Hz
Max liquid temp. with EPDM/NBR [°C] / [°F]	70 / 158	70 / 158	70 / 158	90 / 194	90 / 194	90 / 194
Max liquid temp. with PTFE [°C] / [°F]	70 / 158	70 / 158	70 / 158	110 / 230	110 / 230	110 / 230
Weight with biggest gearmotor [kg] / [lb]	33 / 73	53 / 117	104 / 229	38 / 84	60 / 132	126 / 278
Connection standard	½" BSP female thread (G)	1" BSP female thread (G)	1 ½" BSP female thread (G)	½" BSP female thread (G)	1" BSP female thread (G)	1 ½" BSP female thread (G)
Ambient temperature range	(-20)°C till (+40)°C					

TECHNICAL DATA	PUMP TYPE					
	TE70 S	TE120 S	TE220 S	TE70 A/C	TE120 A/C	TE220 A/C
Max capacity* [l/min] / [US GPM]	48 / 12.7	110 / 29	220 / 58.1	48 / 12.7	110 / 29	220 / 58.1
Max air pressure [bar] / [psi]	1.5 / 22	1.5 / 22	1.5 / 22	1.5 / 22	1.5 / 22	1.5 / 22
Max discharge pressure [bar] / [psi]	4 / 58	4 / 58	4 / 58	4 / 58	4 / 58	4 / 58
Max suction lift dry** [m] / [Ft]	3.5 / 11	3 / 9.8	3 / 9.8	4.5 / 14.8	5 / 16.4	2 / 6.6
Max suction lift wet [m] / [Ft]	8 / 26	8 / 26	8 / 26	8 / 26	8 / 26	8 / 26
Max size of solids ø in [mm] / [in]	4 / 0.16	6 / 0.24	10 / 0.39	4 / 0.16	6 / 0.24	10 / 0.39
Maximum pump speed [cycles per minute]	172 @ 50Hz		164@50Hz	172 @ 50Hz		164@50Hz
Max liquid temp. with EPDM/NBR [°C] / [°F]	90 / 194	90 / 194	90 / 194	90 / 194	90 / 194	90 / 194
Max liquid temp. with PTFE [°C] / [°F]	110 / 230	110 / 230	110 / 230	110 / 230	110 / 230	110 / 230
Weight with biggest gearmotor [kg] / [lb]	36 / 79	60 / 132	115 / 254	34 / 75	52 / 115	97 / 214
Connection standard	¾" BSP female thread (G)	1" BSP female thread (G)	1 ½" BSP female thread (G)	¾" BSP female thread (G)	1" BSP female thread (G)	1 ½" BSP female thread (G)
Ambient temperature range	(-20)°C till (+40)°C					

TECHNICAL DATA	PUMP TYPE		
	TE80	TE125	TE225
Max capacity* [l/min] / [US GPM]	48 / 12.7	110 / 29	220 / 58.1
Max air pressure [bar] / [psi]	1.5 / 22	1.5 / 22	1.5 / 22
Max discharge pressure [bar] / [psi]	4 / 58	4 / 58	4 / 58
Max suction lift dry** [m] / [Ft]	3 / 9.8	3.6 / 11.8	3 / 9.8
Max suction lift wet [m] / [Ft]	8 / 26	8 / 26	8 / 26
Max size of solids ø in [mm] / [in]	4 / 0.16 18 / 0.7***	6 / 0.24 18 / 0.7***	10 / 0.39 51 / 2***
Maximum pump speed [cycles per minute]	172 @ 50Hz		164 @ 50Hz
Max liquid temp. with EPDM/NBR [°C] / [°F]	90 / 194	90 / 194	90 / 194
Max liquid temp. with PTFE [°C] / [°F]	110 / 230	110 / 230	110 / 230
Weight with biggest gearmotor [kg] / [lb]	36 / 79	54 / 119	100 / 220
Connection standard	DN 25 SMS 3017 tri-clamp	DN 38 SMS 3017 tri-clamp	DN 51 SMS 3017 tri-clamp
Ambient temperature range	(-20)°C till (+40)°C		

* = @ 60 Hz

** = With stainless steel valve balls, other materials may reduce suction. Dry suction lift depends on pump speed. Please consult us in this matter.

*** = Flap valve version.

5. DATA

COMPONENT	MATERIAL
Pump housing and all wetted parts	PE, PE AST, PTFE AST, Aluminium, PTFE coated aluminium, AISI316L Stainless steel
Centre block (not wetted)	PA6 Aluminium - anodized
Diaphragms	PTFE, PTFE with white back, EPDM, white EPDM, NBR, FKM, HNBR, TFM modified PTFE
Back-up disc	AISI316L
Valve balls	PTFE, EPDM, NBR, AISI 316, PU, Ceramic, SiC, PE1000
O-rings / Gaskets (wetted)	EPDM, FKM, FEP/FKM, NBR, Klingersil (TE100 and TE120) PTFE, FKM (TE125)
Housing pin screws	A4-80
Diaphragm shaft	Coated and hardened steel
Pump stand	AISI 304 Stainless steel
Internal mechanism	Coated and hardened steel, A4, PE1000
Internal seals	PTFE
Bearings	steel
Coupling	PUR and steel
Coupling cover	PA6 anodized aluminium

5. DATA

5.4. Dimensions

Dimensions in mm (where other is not indicated)

Dimensions in inch (where other is not indicated)

General dimensions only, ask us for detailed drawings. Changes reserved without notice.

	PUMP SIZE									
	TE50	TE100	TE200	TE70 S	TE120	TE220	TE80	TE125	TE225	
A*	653	780	864	653	781	865	653	720	864	
	25.71	30.71	34.02	25.71	30.75	34.06	25.71	28.35	34.02	
B	244	256	372	244	246	351	244	244	351	
	9.61	10.08	14.65	9.61	9.69	13.82	9.61	9.61	13.82	
C*	246	322	450	275	325	453	370.6	434	639	
	9.69	12.68	17.72	10.83	12.80	17.83	14.57	17.09	25.16	
D	190	252	345	192	257	348	294	350	528	
	7.48	9.92	13.58	7.56	10.12	13.70	11.57	13.78	20.79	
E	290	330	360	290	330	360	290	390	450	
	11.42	12.99	14.17	11.42	12.99	14.17	11.42	15.35	17.72	
F	214	214	311	214	214	311	214	204	311	
	8.43	8.43	12.24	8.43	8.43	12.24	8.43	8.03	12.24	
G	230	270	300	230	270	300	230	330	390	
	9.06	10.63	11.81	9.06	10.63	11.81	9.06	12.99	15.35	
H	38	45	69	37	42	68	52	62	79	
	1.5	1.77	2.72	1.46	1.65	2.68	2.05	2.44	3.11	
I	25	38	54	33	54	70	36	44	50	
	0.98	1.5	2.13	1.30	2.13	2.76	1.42	1.73	1.97	
J	330	370	400	330	370	400	330	430	490	
	12.99	14.57	15.75	12.99	14.57	15.75	12.99	16.93	19.29	
K	154	171	228	142	146	194	140	141	186	
	6.06	6.73	8.98	5.59	5.75	7.64	5.51	5.55	7.32	
L	160	163	279	180	241	346	248	307	447	
	6.3	6.42	10.98	7.09	9.49	13.62	9.76	12.09	17.60	
ØM	8	8	8	8	8	8	8	8	8	
	0.31	0.31	0.31	0.31	0.31	0.31	0.31	0.31	0.31	
N	BSP	½"	1"	1 ½"	¾"	1"	1 ½"	-	-	-
	DIN flange	DN15	DN25	DN40	DN20	DN25	DN40	-	-	-
	ANSI flange	½"	1"	1 ½"	¾"	1"	1 ½"	-	-	-
	TC ¹	-	-	-	-	-	-	1"	1 1/2"	2"
	DIN ²	-	-	-	-	-	-	DN25	DN40	DN50
	SMS ³	-	-	-	-	-	-	25	38	51
RJT	-	-	-	-	-	-	1"	1 1/2"	2"	
O	312	335	450	300	305	406	298	310	398	
	12.28	13.19	17.72	11.81	12.01	15.98	11.73	12.20	15.67	
P	8.5 x	8.5 x	8.5 x	8.5 x	8.5 x	8.5 x	8.5 x	8.5 x	8.5 x	
	18.5	18.5	18.5	18.5	18.5	18.5	18.5	18.5	18.5	
	0.33 x	0.33 x	0.33x	0.33 x	0.33 x	0.33 x	0.33 x	0.33 x	0.33 x	
	0.73	0.73	0.73	0.73	0.73	0.73	0.73	0.73	0.73	

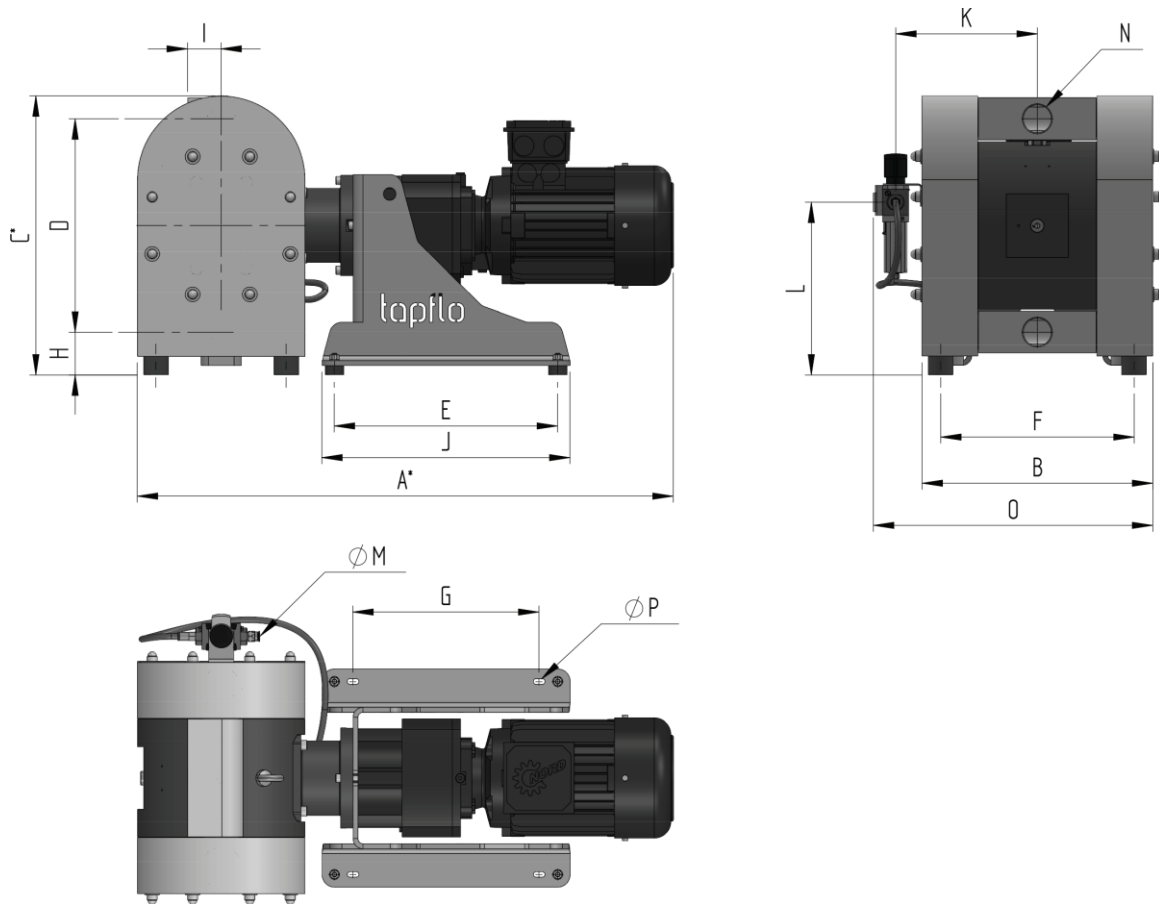
¹ SMS3017

² DIN 11851

³ SMS 1145

*Max height and length may vary depending on motor type

5. DATA



5.5. Tightening torques

Checking of the tightening torques is necessary after all periods of stoppage, when temperature variations are a factor or after all transport and maintenance of the pump. What is more, for proper operation and safety the torque values should be checked frequently as part of preventive maintenance (please contact Tapflo for interval proposals). Although pump applications vary, a general guideline is to re-torque the pump every two weeks.

PUMP SIZE	MOUNTING TORQUE [Nm]
TE50	8
TE100	16
TE200	20

PUMP SIZE	MOUNTING TORQUE [Nm]
TE70 A	12
TE120 A	18
TE220 A	20

PUMP SIZE	MOUNTING TORQUE [Nm]
TE80	8
TE125	16
TE225	16

PUMP SIZE	MOUNTING TORQUE [Nm]
TE70 S	8
TE120 S	16
TE220 S	20

5. DATA

5.6. Permitted loads on manifolds

We recommend not to exceed the following loads and forces reacting on the manifolds.

TE50		
Direction	Load [N] (inlet/outlet)	Moment of force (inlet/outlet) [Nm]
X	31	5.3
Y	31	5.3
Z	31	5.3

TE80		
Direction	Load [N] (inlet/outlet)	Moment of force (inlet/outlet) [Nm]
X	31	6.3
Y	31	6.3
Z	31	6.3

TE100		
Direction	Load [N] (inlet/outlet)	Moment of force (inlet/outlet) [Nm]
X	35	6.1
Y	35	6.1
Z	35	6.1

TE125		
Direction	Load [N] (inlet/outlet)	Moment of force (inlet/outlet) [Nm]
X	35	7.3
Y	35	7.3
Z	35	7.3

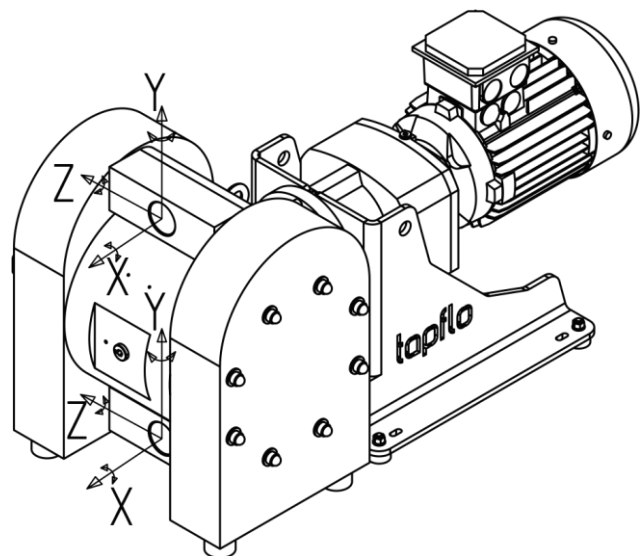
TE200		
Direction	Load [N] (inlet/outlet)	Moment of force (inlet/outlet) [Nm]
X	43	7.4
Y	43	7.4
Z	43	7.4

TE225		
Direction	Load [N] (inlet/outlet)	Moment of force (inlet/outlet) [Nm]
X	43	8.8
Y	43	8.8
Z	43	8.8

TE70		
Direction	Load [N] (inlet/outlet)	Moment of force (inlet/outlet) [Nm]
X	31	6.3
Y	31	6.3
Z	31	6.3

TE120		
Direction	Load [N] (inlet/outlet)	Moment of force (inlet/outlet) [Nm]
X	35	7.3
Y	35	7.3
Z	35	7.3

TE220		
Direction	Load [N] (inlet/outlet)	Moment of force (inlet/outlet) [Nm]
X	43	8.8
Y	43	8.8
Z	43	8.8



6. WARRANTY

6. WARRANTY

6.1. Warranty form

Company:	_____
Telephone:	_____ Fax: _____
Address:	_____
Country:	_____ Contact Name: _____
E-mail:	_____
Delivery Date:	_____ Date of pump installation: _____
Pump type:	_____
Serial No (see name plate or stamped on pump housing):	_____
Description of the fault:	_____ _____ _____
The installation:	
Liquid:	_____
Temperature [°C]: _____	Viscosity [cPs]: _____ Spec grav. [kg/m ³]: _____ pH-value: _____
Content of particles: _____	% of max size [mm]: _____
Flow [l/min]: _____	Duty [h/day]: _____ No of starts per day: _____
Discharge head [bar]: _____	Suction head / lift [m]: _____
Air pressure [bar]: _____	Quality of the air (filter, micron, lubrication): _____
Other:	_____
Place for sketch of installation:	

6. WARRANTY

6.2. Returning parts

When returning parts to Tapflo please follow this procedure:

- Consult Tapflo for shipping instructions.
- Cleanse or neutralize and rinse the part/pump. Make sure the part/pump is completely empty from liquid.
- Pack the return articles carefully to prevent any damage during transportation.

Goods will not be accepted unless the above procedure has been complied with.

6.3. Warranty

Tapflo warrants products under conditions as stated below for a period of not more than 5 years from installation and not more than 6 years from date of manufacturing.

1. The following terms and conditions apply to the sale of machinery, components and related services and products, of Tapflo (hereinafter "the products").
2. Tapflo (the manufacturer) warrants that:
 - a. its products are free of defects in material, design and workmanship at the time of original purchase;
 - b. its products will function in accordance with Tapflo operative manuals; Tapflo does not guarantee that the product will meet the precise needs of the Customer, except for those purposes set out in any invitation to render documents or other documents specifically made available to Tapflo before entering into this agreement;
 - c. high quality materials are used in the construction of the pumps and that machining and assembly are carried out to the highest standards.

Except as expressly stated above, Tapflo makes no warranties, express or implied, concerning the products, including all warranties of fitness for a particular purpose.

3. This warranty shall not be applicable in circumstances other than defects in material, design, and workmanship. In particular warranty shall not cover the following:
 - a. Periodic checks, maintenance, repair and replacement of parts due to normal wear and tear (seals, O-rings, rubber items, diaphragms, air valves etc.);
 - b. Damage to the product resulting from:
 - b.1. Tampering with, abuse or misuse, including but not limited to failure to use the product for its normal purposes as stated at the time of purchase or in accordance with Tapflo instructions for use and maintenance of the product, or the installation or improper ventilation or use of the product in a manner inconsistent with the technical or safety standard in force;
 - b.2. Repairs performed by non-skilled personnel or use of non-original Tapflo parts;
 - b.3. Accidents or any cause beyond the control of Tapflo, including but not limited to lightning, water, fire, earthquake, and public disturbances, etc.;

6. WARRANTY

4. The warrantee shall cover the replacement or repairing of any parts, which is documented faulty due to construction or assembling, with new or repaired parts free of charges delivered by Tapflo. Parts subjected to normal tear and wear shall not be covered by the warranty. Tapflo shall decide as to whether the defective or faulty part shall be replaced or repaired.
5. The warrantee of the products shall be valid for a period in accordance to the current law from the date of delivery, under the condition that notice of the alleged defect to the products or parts thereof be given to Tapflo in written within the mandatory term of 8 days from the discovery. Repair or replacement under the terms of this warranty shall not give a right to an extension to, or a new commencement of, the period of warranty.
6. Repair or replacement under the terms of this warranty shall not give a right to an extension to, or a new commencement of, the period of warranty. Repair or replacement under the terms of this warranty may be fulfilled with functionally equivalent reconditioned units. Tapflo qualified personnel shall be solely entitled to carry out repair or replacement of faulty parts after careful examination of the pump. Replaced faulty parts or components will become the property of Tapflo.
7. The products are built in accordance with standard CE normative and are tested (where applicable) by Tapflo. Approval and tests by other control authority are for the customer's account. The products shall not be considered defective in materials, design or workmanship if they need to be adapted, changed or adjusted to conform to national or local technical or safety standards in force in any country other than that for which the unit was originally designed and manufactured. This warranty shall not reimburse such adaptations, changes or adjustments, or attempt to do so, whether properly performed or not, nor any damage resulting from them, nor any adaptation, change or adjustments to upgrade the products from their normal purpose as described in the products operative manual without the prior written consent of Tapflo.
8. Installation, including electric and other connections to utility mains according to Tapflo drawings, is for the cost and responsibility of the customer, unless otherwise agreed in writing.
9. Tapflo will not be liable on any claim, whether in contract, tort, or otherwise, for any indirect, special, incidental, or consequential damages, caused to the customer or to third parties, including loss of profits, arising by any possible infringement of par. 3 above or by the customer or third parties being in the impossibility of using the products.

Steady the above, Tapflo liability to the customer or third parties from any claim, whether in contract, tort, or otherwise, shall be limited to the total amount paid by the customer for the product that caused the damages.

Sweden

Filaregatan 4 | S-442 34 Kungälv

Tel: +46 303 63390

Fax: +46 303 19916

E-mail addresses:

Commercial questions: sales@tapflo.com

Orders: order@tapflo.com

Tech support: support@tapflo.com

Tapflo products and services are available worldwide.

Tapflo is represented by own Tapflo Group Companies and carefully selected distributors assuring highest Tapflo service quality for our customers' convenience.

AUSTRALIA | AUSTRIA | AZERBAIJAN | BAHRAIN | BELGIUM | BOSNIA & HERZEGOVINA | BRAZIL | BULGARIA | CANADA | CHILE | CHINA | COLOMBIA | CROATIA | CZECH REPUBLIC | DENMARK | ECUADOR | EGYPT | ESTONIA | FINLAND | FRANCE | GEORGIA | GERMANY | GREECE | HONG-KONG | HUNGARY | ICELAND | INDIA | INDONESIA | IRELAND | ISRAEL | ITALY | JAPAN | JORDAN | KAZAKHSTAN | KUWAIT | LATVIA | LIBYA | LITHUANIA | MACEDONIA | MALAYSIA | MEXICO | MONTENEGRO | MOROCCO | NETHERLANDS | NEW ZEALAND | NORWAY | POLAND | PORTUGAL | PHILIPPINES | QATAR | ROMANIA | SAUDI ARABIA | SERBIA | SINGAPORE | SLOVAKIA | SLOVENIA | SOUTH AFRICA | SOUTH KOREA | SPAIN | SWEDEN | SWITZERLAND | TAIWAN | THAILAND | TURKEY | UKRAINE | UNITED ARAB EMIRATES | UNITED KINGDOM | USA | UZBEKISTAN | VIETNAM

Tapflo Group Companies

Australia

Tapflo Oceania (Pty) Ltd.
Tel: +61 1800303633
sales@tapflo.com.au

Austria

Tapflo GmbH
Tel: +43 73227292910
sales@tapflo.at

Baltic States

Tapflo SIA
Tel: +371 67472205
sales@tapflo.lv

Belgium

Tapflo Benelux B.V.
Tel: +31 (0)850074300
info@tapflo.nl

Bulgaria

Tapflo EOOD
Tel: +359 (0)29741854
office@tapflo.bg

Canada

Tapflo Canada
Tel: +1 5148135754
canada@tapflo.com

China

Tapflo (Wuxi) Pumps Co. Ltd.
Tel: +86 51082417072
sales@tapflo.cn

Croatia

Tapflo d.o.o.
Tel: +385 914884666
sales@tapflo.hr

Czech Republic

Tapflo s.r.o.
Tel: +420 513033924
tapflo@tapflo.cz

Denmark

Tapflo Danmark ApS
Tel: +45 36454600
info@tapflo.dk

France

Sarl Tapflo France
Tel: +33 134788240
info@tapflo.fr

Hungary

Tapflo Kft.
Tel: +36 30148 8551
office@tapflo.hu

India

Tapflo Fluid Handling India Pvt Ltd.
Tel: +91 2065000215
ac@tapflo.in

Ireland

Tapflo Ireland Ltd.
Tel: +353 12011911
info@tapflo.ie

Italy

Tapflo Italia S.r.l.
Tel: +39 0362306528
info@tapfloitalia.com

Japan

Tapflo Japan K.K.
Tel: +81 362403510
tapflojp@tapflo.co.jp

Kazakhstan

Tapflo LLP
Tel: +7 7273278347
sales@tapflo.kz

Netherlands

Tapflo Benelux B.V.
Tel: +31 (0)850074300
info@tapflo.nl

Poland

Tapflo Sp. z o.o.
Tel: +48 585304212
info@tapflo.pl

Romania

S.C. Tapflo Rom. S.r.l.
Tel: +40 213451255
sales@tapflo.ro

Serbia

Tapflo d.o.o.
Tel: +381 21445808
sales@tapflo.rs

Slovakia

Tapflo s.r.o.
Tel: +421 911137883
tapflo@tapflo.sk

Slovenia

Tapflo d.o.o.
Tel: +386 68613474
sales@tapflo.hr

Spain

Tapflo Ibérica S.L.
Tel: +34 918093182
avives@tapfloiberica.es

South Africa

Tapflo (Pty) Ltd.
Tel: +27 317015255
sales@tapflo.co.za

Sweden

Tapflo AB
Tel: +46 (0)30314050
info@tapflo.com

Turkey

Tapflo Makina Ltd.
Tel: +90 2164673311
sales@tapflo.com.tr

Ukraine

Tapflo LLC
Tel: +380 442226844
sales@tapflo.ua

Uzbekistan

Tapflo Uzbekistan
Tel: +998 712370940
sales@tapflo.uz

United Kingdom

Tapflo (UK) Ltd.
Tel: +44 2380252325
sales@tapflo pumps.co.uk



If your country is not listed please visit www.tapflo.com/en/contact