

IOM manual

tapflo®

Mobile solutions for pumps and pump units

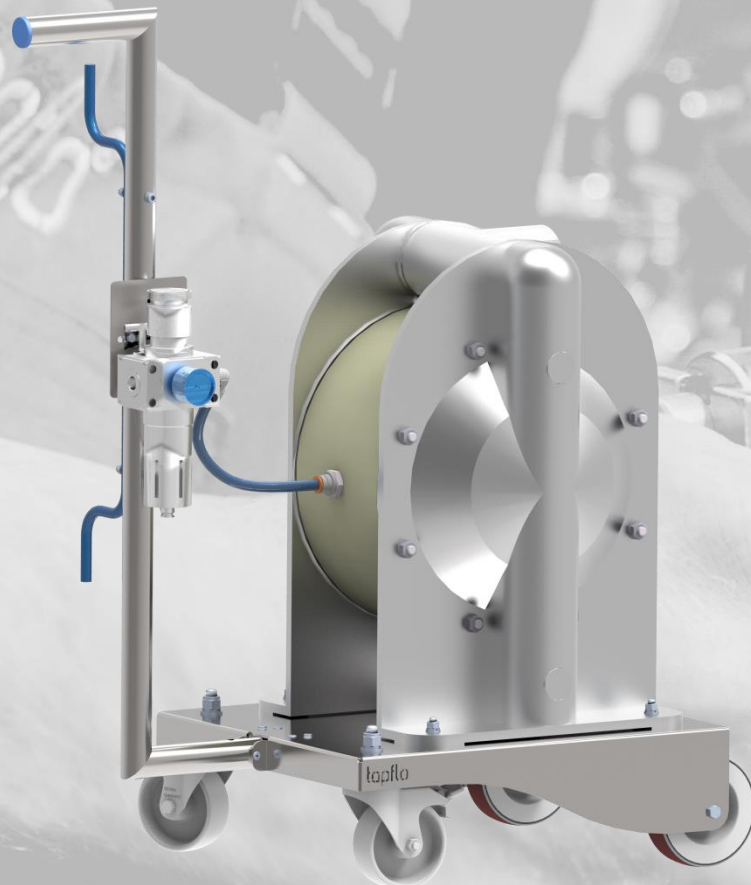
Edition 2016 rev. 1



Read this instruction manual carefully
before you install and operate the pump.

Trolley models:

- Troll S
- Troll M
- Troll L



» All about your flow

www.tapflo.com

CONTENTS

0.	GENERAL	2
0.1.	Introduction	2
0.2.	Warning symbols	2
0.3.	Qualification and training of personnel	3
0.4.	Nameplate	3
1.	INSTALLATION	4
1.1.	Receiving inspection	4
1.2.	Storage	4
1.2.1.	Safety	4
1.2.2.	Cleaning and disinfection	4
2.	TECHNICAL DATA	5
2.1.	Appliance	5
2.2.	Dimensions and load capacities	5
2.2.1.	Trolleys SxxxS and SxxxX	6
2.2.2.	Trolleys MxxxS and MxxxX	7
2.2.3.	Trolleys LxxxS and LxxxX	8
2.2.4.	Trolleys LxxxB	9
3.	ASSEMBLY INSTRUCTION	10
3.1.	Assembly of the trolleys	10
3.1.1.	Trolleys S268S and S268X	10
3.1.2.	Trolleys M408S and M408X	11
3.1.3.	Trolleys LxxxS, LxxxX, LxxxB	12
3.2.	Assembly of a pump / pump unit, according to the measured dimensions of it	13
3.3.	Assembly of a pump / pump unit, according to the catalogue dimensions of it	13
4.	OPERATION	14
4.1.	Everyday inspections	14
4.2.	Periodical inspections	14
4.3.	Maintenance	14
4.4.	Repairs	14
4.5.	Disassembly and waste materials	14
4.6.	Spare parts	14

0. GENERAL

0. GENERAL

The following instruction manual embraces safety and operation rules for the mobile solution (trolleys) for pumps and pump units. Before beginning to operate the trolley and the devices mounted on it, please read this instruction carefully.

In case of any not understanding of the instruction, technical problems, or a need for spare parts – please contact your local Tapflo distributor.

WARNING:

Before placing an order for a trolley, please verify if the baseplate of a device mounted on the trolley does not exceed the available operation surface of the trolley. Moreover, it should be verified that the weight of the mounted device does not exceed allowed loads on the trolley.

The dimensions of the operation surfaces and the allowed loads on the trolleys are stated in paragraph 2 of this instruction manual.

0.1. Introduction

Mobile Pump Units are found as the best solution for the users of spread technological processes. The portability of the Units allows easy movement to various locations. This means almost limitless application.

Construction elements of the trolleys are made of AISI 304 stainless steel, which guarantees appropriate chemical resistance and mechanical strength.

With proper attention to maintenance, mobile solutions for pumps and pump units will give efficient and trouble free operation. This instruction manual will familiarize operator with detailed information about installing, operating and maintaining the pump.

0.2. Warning symbols

The following warning symbols are present in this instruction manual. This is what they say:



This symbol stands next to all safety instructions in this instruction manual where danger to life and limb may occur. Observe these instructions and proceed with utmost caution in these situations. Inform also other users of all safety instructions. In addition to the instructions in this instruction manual, the general safety and accident prevention regulations must be observed.



This symbol signals possible danger caused by the presence of electric fields or live wires.

0. GENERAL

1.

0.3. Qualification and training of personnel



The personnel in charge of installation, operation and maintenance of the trolleys must be qualified to carry out the operations described in this manual. Tapflo shall not be held responsible for the training level of personnel and for the fact that they are not fully aware of the contents of this manual.

Operator of a trolley is obligated to obey safety and caution rules, including but not limited to:

- not exceeding allowed loads on a trolley,
- using a trolley in accordance with its appliance,
- providing even distribution of mass and stability of a trolley, while and after placing a pump or a pump unit on an operations surface of a trolley
- assembling pump or a pump unit to the trolley with connecting elements, in accordance with instruction manual of the assembled pump or pump unit,
- acting particularly carefully while driving a trolley along slope surfaces, it is unacceptable to drive a trolley crossways a slope surface.
- wearing protection clothing: protective gloves, shoes, goggles etc.
- securing the trolley from rolling down or turning over.

0.4. Nameplate

1 – model of a trolley, as below:

T r o l l L 466 S

S – standard execution
X –ATEX execution
B – trolley with a cabinet for automatition devices

268 – operation surface dimensions – 268x268
408 – operation surface dimensions – 478x408
285 – operation surface dimensions – 196x500
344 – operation surface dimensions – 252x630
466 – operation surface dimensions – 356x710
390 – operation surface dimensions – 312x900
490 – operation surface dimensions – 380x1120
540 – operation surface dimensions – 430x1250
610 – operation surface dimensions – 480x1400

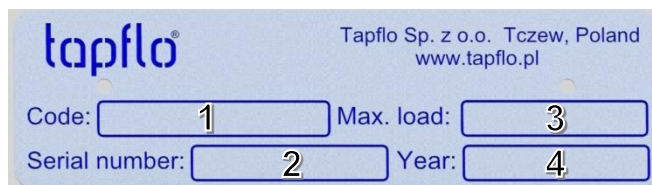
S – 2 fixed wheels + support
M – 2 fixed wheels + 2 swivel wheels with a brake
L – 2 swivel wheels + 2 swivel wheels with a brake

Troll – trolley standard Tapflo, 2015

2 – serial number of a trolley



3 – allowed loads on a trolley

4 – year of production



A nameplate on a trolley should be kept clean, so it would always be possible to identify it.

1. INSTALLATION

1. INSTALLATION	
1.1. Receiving inspection	
	<p>Although precaution is taken by us when packing and shipping, we urge you to carefully check the shipment on receipt. Make sure that all parts and accessories listed on the packing list are accounted for. Immediately report any damage or shortage to the transport company and to us.</p> <p>A trolley can be sent as an assembled or unassembled device.</p> <p>A trolley can be transported on its own wheels or in other transportation way. While transporting a trolley, it should be secured from any damage.</p> <p>If weight of a trolley exceeds 40 kg, manual loading and unloading of it should be done by at least two persons.</p>
1.2. Storage	
	<p>If the equipment is to be stored prior to installation, place it in a clean location.</p> <p>Clean a trolley thoroughly before installation.</p>
1.2.1. Safety	
	<p>In the interest of health and safety it is essential to wear protective clothing and safety goggles when operating, and/or working in the vicinity of Tapflo trolleys.</p>
1.2.2. Cleaning and disinfection	
	<p>Cleaning and disinfection of a trolley is of greatest importance when a trolley is used in a food process installation. Use of a pump system that is NOT cleaned or disinfected can cause contamination of the product or environment.</p>

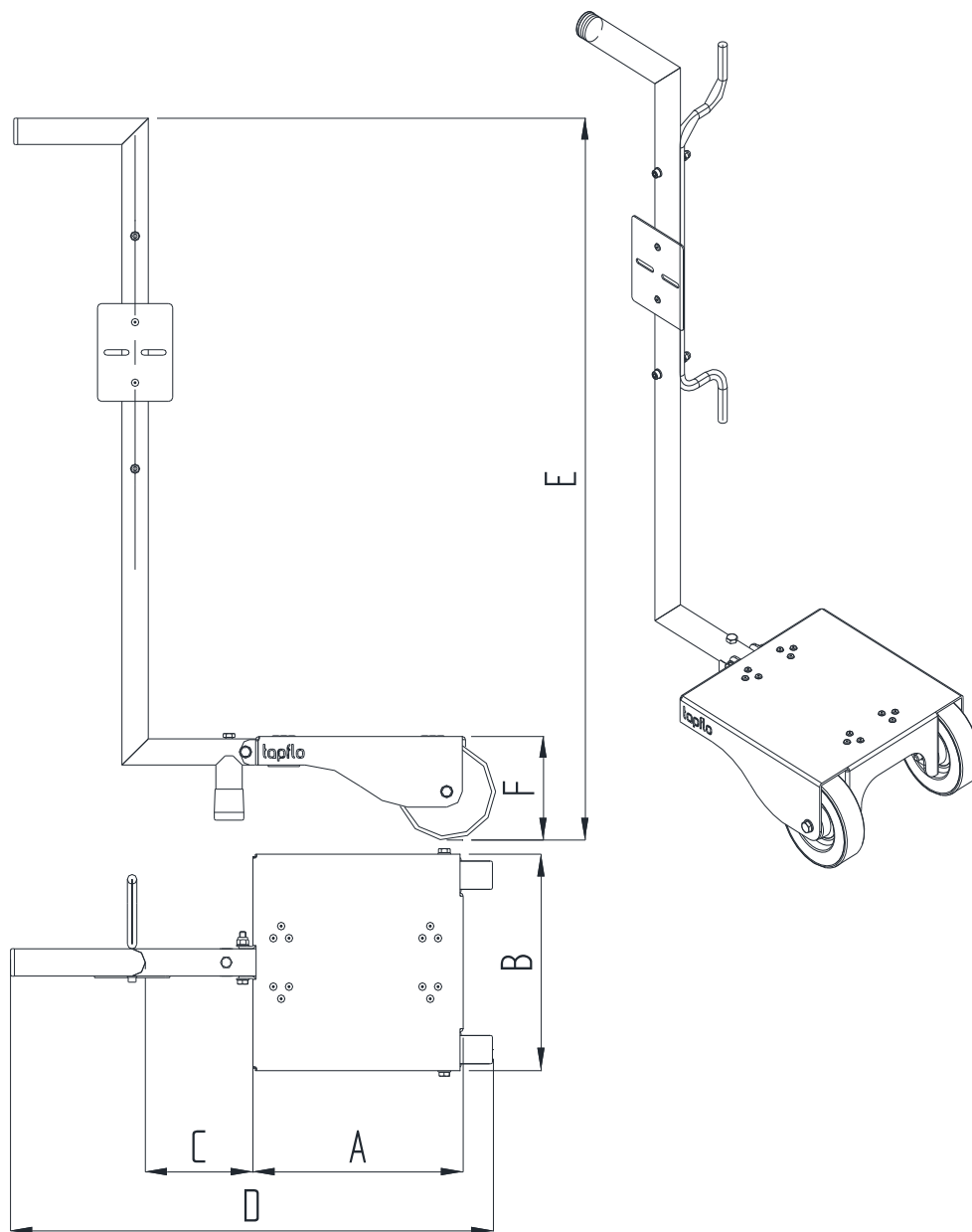
2. TECHNICAL DATA

2. TECHNICAL DATA	
2.1. Appliance	
	<p>Tapflo trolleys are designed for transportation of pumps or pump units, suitable for exact type of a trolley. It is not allowed to use Tapflo trolleys for transportation of any other devices.</p> <p><u>Appliance of Tapflo trolleys:</u> walking distance transportation of pumps and pump units, on the even, hardened surface.</p> <p>Trolleys should not be used for transportation on public roads.</p> <p>Working area: in-house facility transportation.</p>
2.2. Dimensions and load capacities	
	<p>Before placing an order for a trolley, please verify if the baseplate of a device mounted on the trolley does not exceed the available operation surface of the trolley. Moreover, it should be verified that the weight of the mounted device does not exceed allowed loads on the trolley.</p>

2. TECHNICAL DATA

2.2.1. Trolleys SxxxS and SxxxX

Allowed loads on the trolley – 75 kg

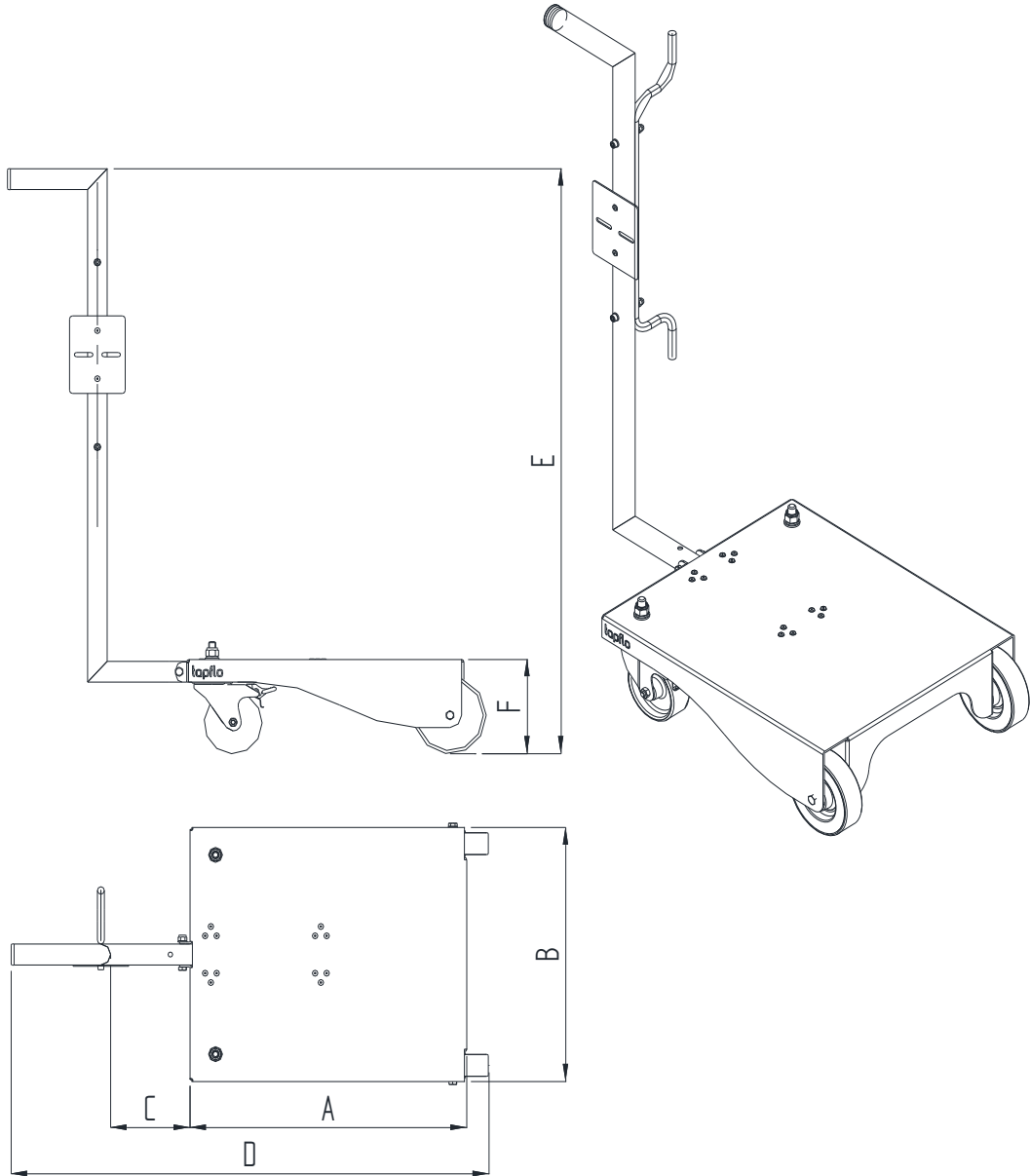


A	B	C	D	E	F
268	268	137,2	615,5	930,5	133,5

2. TECHNICAL DATA

2.2.2. Trolleys MxxxS and MxxxX

Allowed loads on the trolley – 125 kg

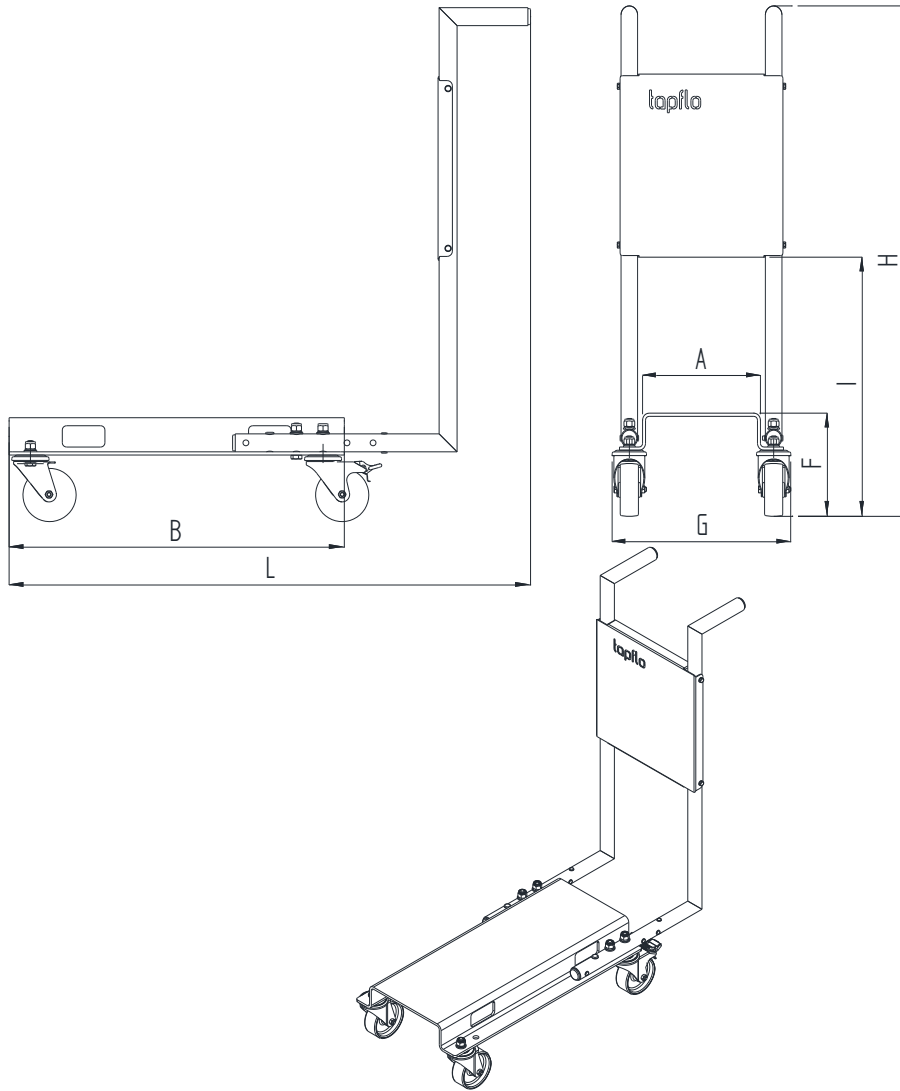


A	B	C	D	E	F
478	408	137,2	825,5	950	153

2. TECHNICAL DATA

2.2.3. Trolleys LxxxS and LxxxX

Allowed loads on the trolley – 320 kg

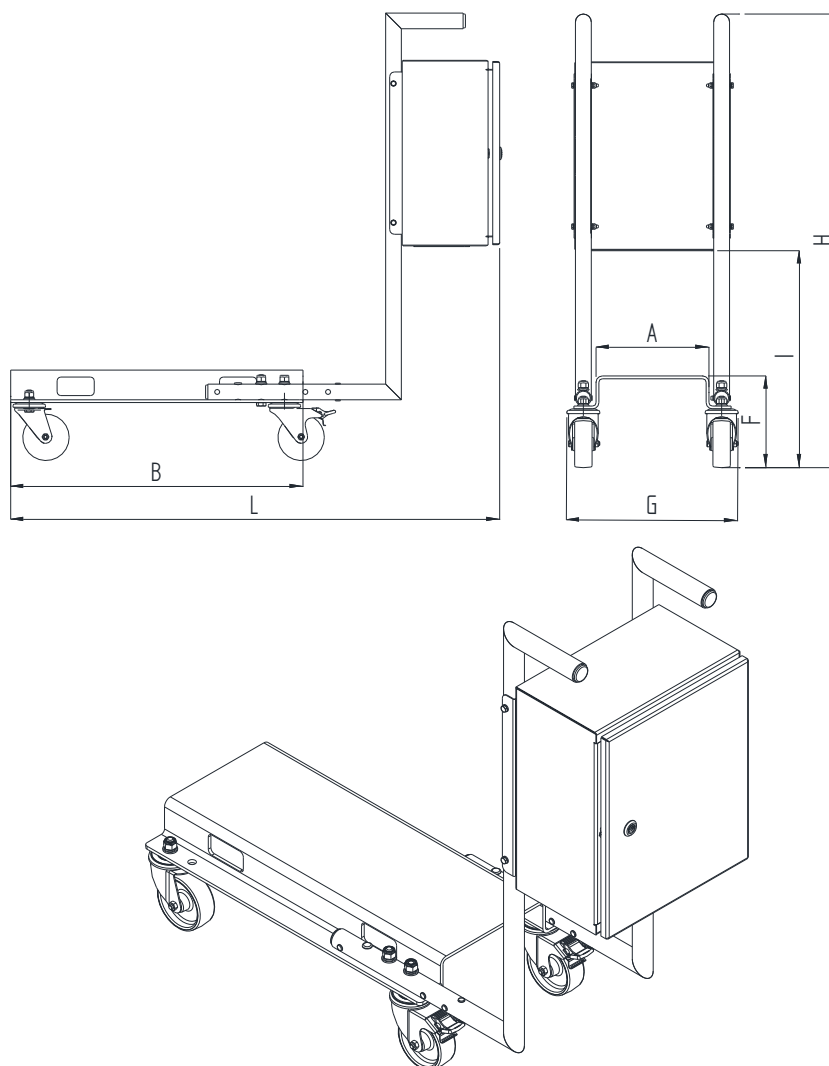


Trolley type	A	B	F	G	H	I	L
troll L01S / troll L01X	196	500	195	320	965	490	870
troll L02S / troll L02X	252	630	195	364	965	490	980
troll L03S / troll L03X	356	710	221	486	965	490	990
troll L04S / troll L04X	312	900	205	420	967	492	1190
troll L05S / troll L05X	380	1120	225	510	969	494	1420
troll L06S / troll L06X	430	1250	225	560	969	494	1535
troll L07S / troll L07X	480	1400	225	620	969	494	1660

2. TECHNICAL DATA

2.2.4. Trolleys LxxxB

Allowed loads on the trolley – 320kg



Trolley type	A	B	F	G	H	I	L
troll L01S / troll L01X	196	500	195	320	965	490	944
troll L02S / troll L02X	252	630	195	364	965	490	1054
troll L03S / troll L03X	356	710	221	486	965	490	1064
troll L04S / troll L04X	312	900	205	420	967	492	1264
troll L05S / troll L05X	380	1120	225	510	969	494	1494
troll L06S / troll L06X	430	1250	225	560	969	494	1609
troll L07S / troll L07X	480	1400	225	620	969	494	1734

3. ASSEMBLY INSTRUCTION

3. ASSEMBLY INSTRUCTION

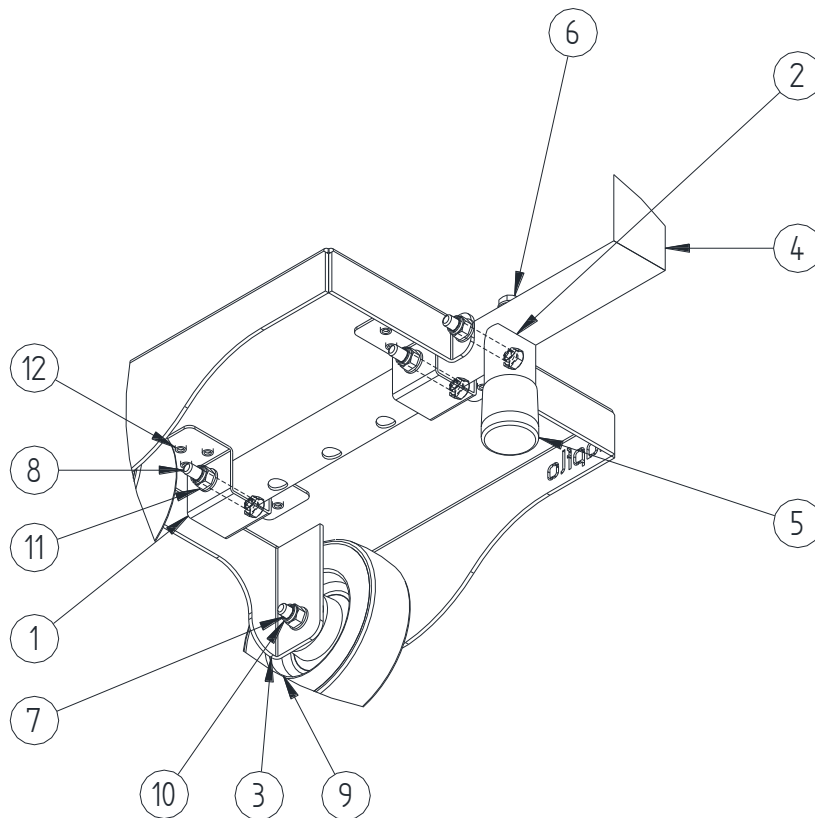
WARNING! Before assembling a device on a trolley, it should be verified that the weight of the mounted device does not exceed allowed loads on the trolley.

It should also be checked, if the weight of a trolley with a device mounted on it does not exceed limits stated in the local law regulations concerning manual transportation.

3.1. Assembly of the trolleys

A trolley can be sent to a customer as an unassembled device. If the trolley is sent unassembled, all the elements of it should be mounted before placing a pump or a pump unit – in accordance with this manual.

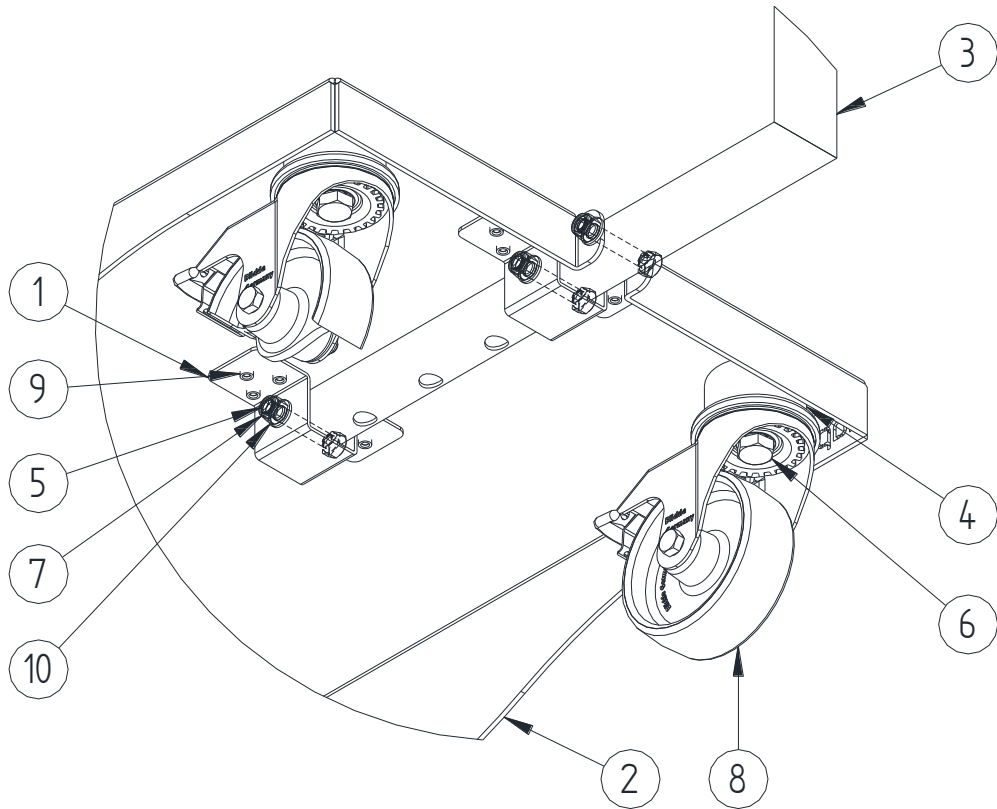
3.1.1. Trolleys S268S and S268X



	Element
1	Omega
2	Support
3	Base of trolley
4	Handling bar
5	Closure
6	Screw L=80
7	Screw L=70
8	Screw L=60
9	Wheel of a trolley
10	Nut
11	Washer
12	Rivet

3. ASSEMBLY INSTRUCTION

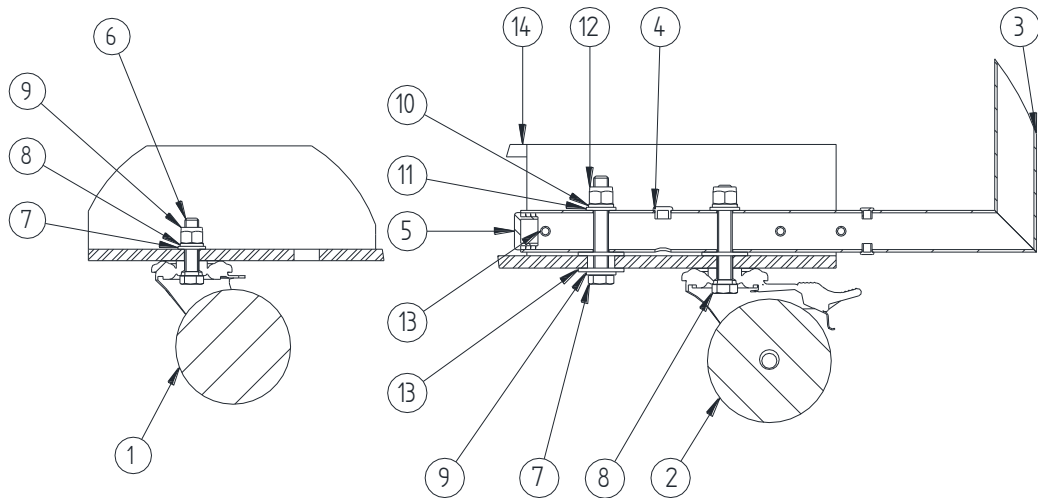
3.1.2. Trolleys M408S and M408X



	Element
1	Omega
2	Base of trolley
3	Handling bar
4	Distance
5	Screw L=50
6	Screw L=70
7	Nut
8	Swivel wheel with a break
9	Rivet
10	Washer

3. ASSEMBLY INSTRUCTION

3.1.3. Trolleys LxxxS, LxxxX, LxxxB



	Element	Trolley type / no. of elements									
		troll S268S; troll S268X	troll M408S; troll M408X	troll L01S; troll L01X; troll L01B	troll L02S; troll L02X; troll L02B	troll L03S; troll L03X; troll L03B	troll L04S; troll L04X; troll L04B	troll L05S; troll L05X; troll L05B	troll L06S; troll L06X; troll L06B	troll L07S; troll L07X; troll L07B	
1.	Swivel wheel	2	2	2	2	2	2	2	2	2	
2.	Swivel wheel with a break	2	2	2	2	2	2	2	2	2	
3.	Handling bar	1	1	1	1	1	1	1	1	1	
4.	Closure	2	2	2	2	2	2	2	2	2	
5.	Closure	4	4	4	4	4	4	4	4	4	
6.1.	Screw L=40	2	2	2	2	2	2	-	-	-	
6.2.	Screw L=50	-	-	-	-	-	-	2	2	2	
7.1.	Screw L=60	2	2	2	2	2	2	-	-	-	
7.2.	Screw L=80	-	-	-	-	-	-	2	2	2	
8.1.	Screw L=70	2	2	2	2	2	2	-	-	-	
8.2.	Screw L=80	-	-	-	-	-	-	2	2	2	
9.	Washer	8	8	8	8	8	8	8	8	8	
10.	Spring washer	6	6	6	6	6	6	6	6	6	
11.	Englared washer	7	7	7	7	7	7	7	7	7	
12.	Nut	6	6	6	6	6	6	6	6	6	
13.	Closure	15	15	15	15	15	15	15	15	15	
14.	Baseplate	1	1	1	1	1	1	1	1	1	

3. ASSEMBLY INSTRUCTION

3.2.	Assembly of a pump / pump unit, according to the measured dimensions of it
	<ol style="list-style-type: none">1. Check locations and diameters of mounting holes of pump or pump unit,2. Place the assembled pump or pump unit on the operation surface of the trolley,3. Check for any collisions between assembled device, its mounting elements and parts of the trolley,4. Mark locations of the mounting holes of pump or pump unit on the operation surface of the trolley,5. Measure the diameters of mounting holes of the pump or pump unit,6. Drill mounting holes in the marked locations on the trolley's operation surface. Size of the drilled holes should be equal to the mounting holes of the pump or pump unit,7. Assembly the pump or pump unit on the trolley. Use only those connecting elements, which are typed in the instruction manual of the assembled pump or pump unit. <p>The assembly works should only be performed by qualified personnel and in accordance with the local safety regulations.</p>
3.3.	Assembly of a pump / pump unit, according to the catalogue dimensions of it
	<ol style="list-style-type: none">1. Check locations and diameters of mounting holes of pump or pump unit in the proper documentation,2. Check for any collisions between assembled device, its mounting elements and parts of the trolley,3. Mark locations of the mounting holes of pump or pump unit on the operation surface of the trolley,4. Drill mounting holes in the marked locations on the trolley's operation surface. Size of the drilled holes should be equal to the mounting holes of the pump or pump unit,5. Assembly the pump or pump unit on the trolley. Use only those connecting elements, which are typed in the instruction manual of the assembled pump or pump unit. <p>The assembly works should only be performed by qualified personnel and in accordance with the local safety regulations.</p>

4. OPERATION

4. OPERATION	
WARNING: While operating a trolley, it should always remain stable.	
4.1. Everyday inspections	
	Everyday inspection concerns general check-up of the device and its connecting elements. In case of noticing any damage of the device, all of the elements in operation should be immediately turned off.
4.2. Periodical inspections	
	<ul style="list-style-type: none">- Periodical inspection concerns check-up of the wheels' bearings, in particular check-up for clearances, mechanical damages and condition of connecting elements.- Periodical inspection should be performed at least every 6 months.- Every 3 months the wheels' bearings should be lubricated.
4.3. Maintenance	
	A trolley should be remained clean. It can be cleaned with water.
4.4. Repairs	
	In case of damaging or failure of a trolley, it should be repaired by using original spare parts, which can be ordered at Tapflo. While ordering spare parts, it is essential to provide Code and Serial number of a trolley. Repairs should only be performed by qualified personnel and in accordance with the local safety regulations.
4.5. Disassembly and waste materials	
	Disassembly of the used parts should be done by using universal tools. Disassembly should only be performed by qualified personnel and in accordance with the local safety regulations.
4.6. Spare parts	
	Spare parts for the trolleys are: <ul style="list-style-type: none">- wheels,- handling bars,- connecting elements. To order spare parts please contact your local Tapflo representative.

TAPFLO AB

Sweden

Filaregatan 4 | S-442 34 Kungälv

Tel: +46 303 63390

Fax: +46 303 19916

E-mail addresses:

Commercial questions: sales@tapflo.com

Orders: order@tapflo.com

Tech support: support@tapflo.com

Tapflo products and services are available in 64 countries on 6 continents.

Tapflo is represented worldwide by own Tapflo Group Companies and carefully selected distributors assuring highest Tapflo service quality for our customers' convenience.

AUSTRALIA | AUSTRIA | AZERBAIJAN | BELARUS | BELGIUM | BOSNIA | BRAZIL | BULGARIA | CHILE | CHINA | COLOMBIA | CROATIA | CZECH REPUBLIC | DENMARK | ECUADOR | ESTONIA | FINLAND | FRANCE | GREECE | GEORGIA | GERMANY | HONG-KONG | HUNGARY | INDIA | INDONESIA | IRAN | IRELAND | ISRAEL | ITALY | JAPAN | KAZAKHSTAN | LATVIA | LITHUANIA | MACEDONIA | MALAYSIA | MEXICO | MONTENEGRO | THE NETHERLANDS | NEW ZEALAND | NORWAY | POLAND | PORTUGAL | PHILIPPINES | ROMANIA | RUSSIA | SERBIA | SINGAPORE | SLOVAKIA | SLOVENIA | SOUTH AFRICA | SOUTH KOREA | SPAIN | SWEDEN | SWITZERLAND | SYRIA | TAIWAN | THAILAND | TURKEY | UKRAINE | UNITED ARAB EMIRATES | UNITED KINGDOM | USA | UZBEKISTAN | VIETNAM

Tapflo Group Companies

Austria

Tapflo Austria

Tel: +43 732 27292910

sales@tapflo.at

China

Tapflo (Wuxi)

Tel: +86 510 8241 7602

sales@tapflo.cn

Japan

Tapflo Japan K.K.

Tel: +81-3-6240-3510

tapflojp@tapflo.co.jp

Slovenia

Tapflo GmbH

Tel: +386 68 613 474

ales@tapflo.hr

Azerbaijan

Tapflo Azerbaijan LLC

Tel: +994 502660799

sales@tapflo.az

Denmark

Tapflo Danmark

Tel: +45 36 454600

info@tapflo.dk

Kazakhstan

Tapflo Kazakstan

Tel: +7 727 3278347

sales@tapflo.kz

Spain

Tapflo Iberica

Tel: +34 91 8093182

avives@tapfloiberica.es

Baltic States

Tapflo Latvia

Tel: +371 67472205

riga@tapflo.lv

France

Tapflo France

Tel: +33 1 34 78 82 40

info@tapflo.fr

Poland

Tapflo Sp. z o.o.

Tel: +48 58 530 42 00

export@tapflo.pl

South Africa

Tapflo (Pty) Ltd

Tel: +27 31 701 5255

sales@tapflo.co.za

Belarus

Tapflo Belarus

Tel: +375 17 3934609

sales@tapflo.by

Georgia

Tapflo Georgia

Tel: +995 577 463010

sales@tapflo.ge

Romania

S.C. Tapflo Rom. S.r.l.

Tel: +40 21 3451255

sales@tapflo.ro

Turkey

Tapflo Makina Ltd

Tel: +90 216 467 33 11

sales@tapflo.com.tr

Bulgaria

Tapflo EOOD

Tel: +359 (2) 974 18 54

sofia@tapflo.org

India

Tapflo Fluid Handling India Pvt Ltd

Tel: +91 20 65000215

ad@tapflo.in

Russia

Tapflo Company

Tel: +7 495 232 18 28

sales@tapflo.com.ru

Ukraine

TOB Tapflo

Tel: +380 44 222 68 44

sales@tapflo.com.ua

Croatia

Tapflo GmbH

Tel: +385 91 4884 666

sales@tapflo.hr

Ireland

Tapflo Ireland Ltd

Tel: +353 1 2011911

info@tapflo.ie

Serbia

Tapflo d.o.o.

Tel: +381 21 44 58 08

sales@tapflo.rs

Uzbekistan

Tapflo Uzbekistan

Tel.: +998 712340940

sales@tapflo.uz

Czech Republic

Tapflo s.r.o.

Tel: +420 513033924

tapflo@tapflo.cz

Italy

Tapflo Italia

Tel: +39 0362307698

info@tapfloitalia.com

Slovakia

Tapflo s.r.o.

Tel: +421 911 137 883

tapflo@tapflo.sk

United Kingdom

Tapflo (UK) Ltd

Tel: +44 2380 252325

sales@tapflo pumps.co.uk