

tapflo®

CTS SELF-PRIMING CENTRIFUGAL PUMPS

2020 | 2



» All about your flow™

www.tapflo.com

CTS Self-priming Pumps

The self-priming feature allows to use the pump in applications where standard CT pumps do not prove useful.

CTS is an open impeller self-priming centrifugal pump, manufactured from AISI 316L stainless steel.

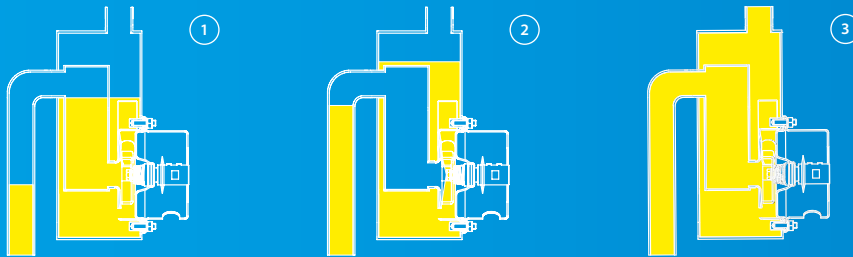
CTS H with excellent electro polished surfaces, FDA approved seals, high finish and mechanical strength, meet the demands from food and sanitary applications.

CTS I with AISI 316L chemical resistance and mechanical strength is a reliable choice for industrial applications.

The self-priming feature allows to use the pump in applications where standard CT pumps do not prove useful. The CTS pump is capable of creating up to 4,5 m of suction lift.



Working principle



- (1) In order for the priming action to be achieved, the pump casing has to be filled with liquid to a level above the impeller.
- (2) When the pump starts its operation, it is evacuating the air from the suction line thus creating negative pressure and lifting the product. The air is mixed with the liquid in the pump casing. The air escapes the casing through the discharge line while the liquid returns to the impeller as it has a higher specific gravity than the liquid/air mixture.
- (3) This process continues until the suction line is completely free of air and the pump can operate as a standard centrifugal pump.

Self-priming vs. standard centrifugal pump comparison

The CTS pump is a great alternative to our standard CT pumps when the self-priming ability is needed.

By replacing only one element - the casing with a self-priming chamber - we can achieve various advantages for our pump.

The pump can now suck the liquid from a lower level than it is positioned or handle liquids with high content of air.

The construction of the pump chamber ensures that there is always enough liquid left inside in order to prime the pump after stoppage.



CT casing



CTS casing

Wide range of applications

The CTS-I series has a very wide range of applications – from transfer of water, to pumping of mild chemicals. Together with the hygienic CTS - H series, the number of applications within food, beverage and pharmaceutical industries increases significantly.



Food & beverage

CTS-H series

Transfer of various ingredients and products like edible oil, flavour, alcohol, dairy products and juice. CTS-H pumps are also a perfect choice for many applications like transfer of CIP liquids, detergents and water.



Chemical & pharma

CTS-I & CTS-H series

Transfer of a variety of mild chemicals and solvents.



Mechanical industry

CTS-I series

Handling of oil, lubricants, coolants and detergents etc.

Features & Benefits

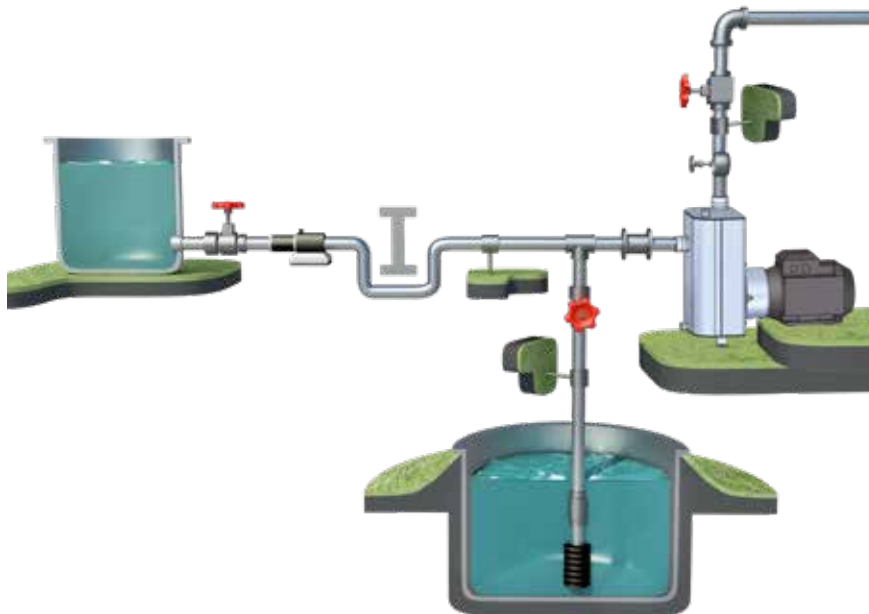
- ✓ Wide range of optional executions: lubricated seal for safety, foot valve for quicker starting after stoppage of the pump, appropriate for hygienic applications (CTS H series).

✓ No need for additional pumps or equipment for self-priming.

✓ Ideal for highly aerated liquids.
- ✓ Easy installation and maintenance. Only the suction pipe has to be immersed and the pump can be located at a convenient spot. Disassembly of the pump can be done without interfering into the piping.

✓ Replace only one part on your CT pump to achieve the self-priming ability.

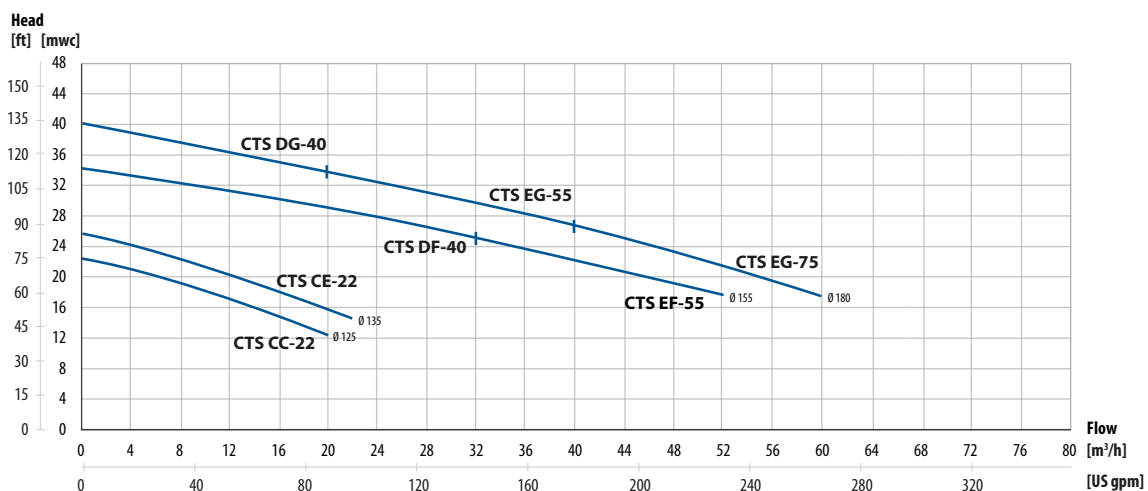
Installation example



Performance curves

The performance curves are based on water. (T=20 °C, $\rho=1000 \text{ kg/m}^3$, $n=2900 \text{ rpm}$)

With 2900 rpm motor



CTS Pump code



* = Ask us for complete pump code with all available options and executions. Changes reserved without notice

CTS pumps execution versions

Standard **Option**

* Certificate delivered with the pump (for other- on request)



USP VI approved materials

U.S. Pharmacopeial Convention (USP) class I to VI defines how a plastic or rubber material may be exposed of human tissue. Class VI requires the most stringent testing and such materials may be used for example in implant devices.

CTS-H

CTS-I



FDA §21 CFR 177 materials

FDA (U.S. Food and Drug Administration) §21 CFR 177 lists polymers, e.g. rubber and plastic materials approved for equipment in contact with food products.



EN 10204

EN 10204 material traceability

The EN 10204 norm gives you a checklist and traceability of materials used in the equipment. 2.1 is a general statement of compliance with material specifications, while 3.1 provides specific track records all the way to the steel mill batch (normally only on metals in contact with the product).



EC 1935/2004 regulation

This EU regulation applies to all food contact materials, e.g. metals, plastics and rubber materials. It requires that these materials are safe, are labeled with the glass-and-fork symbol, are traceable throughout the production chain (according to above EN 10204) and that they are produced according to good manufacturing practice (GMP).



CE compliant

A product classified as machinery that carries the CE mark fulfill the essential health and safety requirements of the EC Machinery Directive 2006/42/EEC.

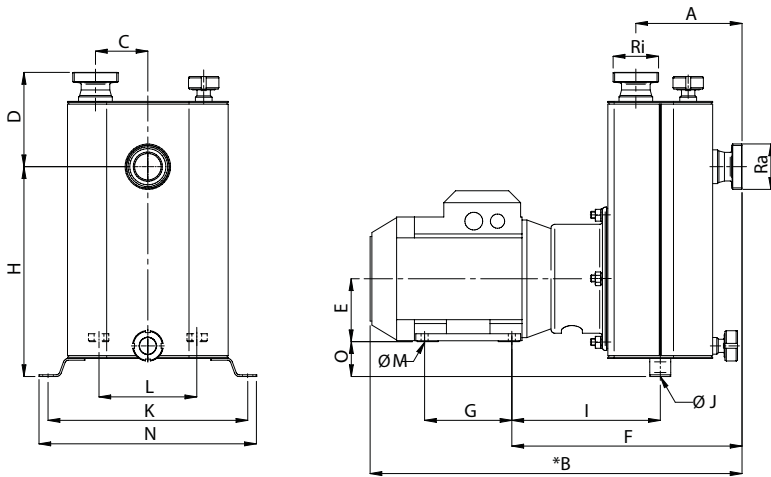


ATEX Directive 94/9/EC

Equipment intended and approved for safe operation in potentially explosive atmospheres. The equipment is divided in main groups, categories, apparatus groups and temperature classes to define its suitability in the actual zone.



CTS pumps - technical data



Connection dimensions

Connection dimensions BSPT (male thread)		
Model	Ra	Ri
CTSI C..	1 1/2"	1 1/2"
CTSI D..	2 1/2"	2"
CTSI E..	2 1/2"	2"

Connection dimensions DIN 11851 (male thread)		
Model	Ra	Ri
CTSH C..	DN40	DN40
CTSH D..	DN65	DN50
CTSH E..	DN65	DN50

General dimensions

Note: Dimensions in table are the same for CTS-H and CTS-I

Model	Motor power (kW)	IEC motor size	A	*B	C	D	E	F	G	H	I	ØJ	K	L	ØM	N	O
CTS CC-22	2.2	90	152	532,5	75	135	90	329,5	125	300,5	212,5	9	286	140	10	311	50
CTS CE-22	2.2	90	152	532,5	75	135	90	329,5	125	300,5	212,5	9	286	140	10	311	50
CTS DD-40	4.0	112	170	641	90	120	112	378	140	377	243	9	336	190	12	362	55
CTS DF-40	4.0	112	170	641	90	120	112	378	140	377	243	9	336	190	12	362	55
CTS EF-55	5.5	132	170	692	90	120	132	414	178	377	279	9	336	216	12	362	35
CTS EG-55	5.5	132	170	692	90	120	132	414	178	377	279	9	336	216	12	362	35
CTS EF-75	7.5	132	170	692	90	120	132	414	178	377	279	9	336	216	12	362	35
CTS EG-75	7.5	132	170	692	90	120	132	414	178	377	279	9	336	216	12	362	35

*This dimension may vary depending on motor brand

Materials, data and limits

Characteristics	Pump model CTS	
	CTS I	CTS H
Casing	Glass blast AISI 316L stainless steel	Electro polished Ra <0.8 µm AISI 316L stainless steel
Impeller	Glass blast AISI 316L stainless steel, open (standard) or optional semi-open type	Electro polished Ra <0.8 µm AISI 316L stainless steel, open (standard) or optional semi-open type
Mechanical seal	Single ceramic/graphite (standard), SiC/SiC or SiC/graphite, optional with oil lube	Single ceramic/graphite (standard), SiC/SiC or SiC/graphite optional with oil lube
O-rings	EPDM (standard), FKM, FEP/silicone or NBR	EPDM FDA requirements compliant (standard), FEP/silicone FDA requirements compliant or FKM FDA requirements compliant
Motor*	IEC standard, 3-phase, 2-pole, IP55	
Pressure rating	PN 2,5 bar (CTS C) at 20°C; PN 4 bar (CTS D,E) at 20°C	
Temperature	max 90°C	
Viscosity	max ~200 cSt	
Particles	max diameter is Ø 6 mm (with standard open impeller), bigger if soft particles	

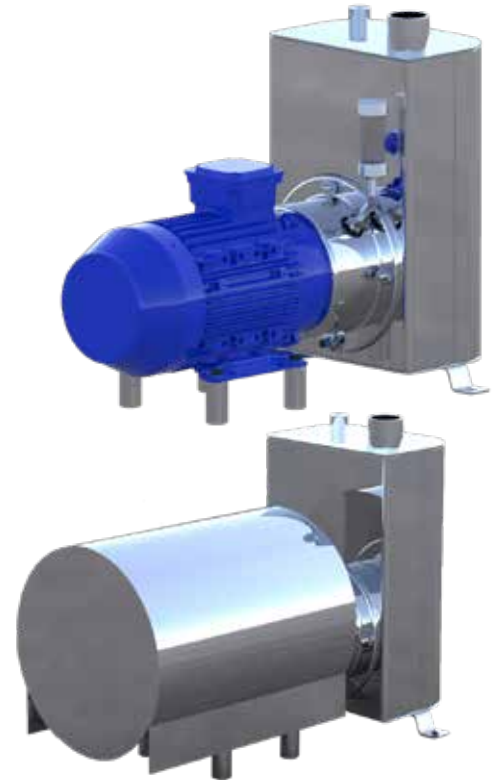
* others available on request

Options and special executions

Buffer fluid system (CTS-I and CTS-H)

A great option when the product tends to solidify or crystalize.

A lube reservoir is connected to the air side of the mechanical seal.



Hygienic shroud (CTS-H)

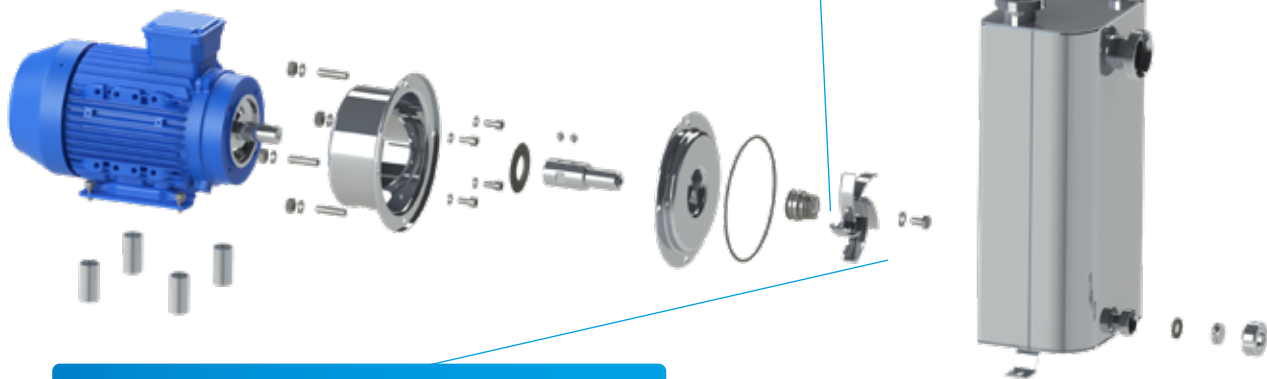
The hygienic motor shroud in polished AISI 316L, protects the motor from spraying water during pump cleaning procedure.

Ingenious design

A very simple and ingenious design, easy and quick maintenance, in many cases completely maintenance free. The effect is very short down time and extremely low maintenance costs.

Mechanical Seal

Standard single mechanical seal provides a wide range of seal face materials - ceramic, graphite, SiC and o-rings in EPDM, FKM or FEP.



The impeller

The open impeller is insensitive for solids (max 6 mm).
Semi open impeller for heavy duty applications is available as option

Sweden

Filaregatan 4 | S-442 34 Kungälv

Tel: +46 303 63390

Fax: +46 303 19916

E-mail addresses:

Commercial questions: sales@tapflo.com

Orders: order@tapflo.com

Tech support: support@tapflo.com

Tapflo products and services are available in 75 countries on 6 continents.

Tapflo is represented worldwide by own Tapflo Group Companies and carefully selected distributors assuring highest Tapflo service quality for our customers' convenience.

AUSTRALIA | AUSTRIA | AZERBAIJAN | BAHRAIN | BELARUS | BELGIUM | BOSNIA | BRAZIL | BULGARIA | CANADA | CHILE | CHINA | COLOMBIA | CROATIA | CZECH REPUBLIC | DENMARK | ECUADOR | EGYPT | ESTONIA | FINLAND | FRANCE | GREECE | GEORGIA | GERMANY | HONG-KONG | HUNGARY | ICELAND | INDIA | INDONESIA | IRAN | IRELAND | ISRAEL | ITALY | JAPAN | JORDAN | KAZAKHSTAN | KUWAIT | LATVIA | LIBYA | LITHUANIA | MACEDONIA | MALAYSIA | MEXICO | MONTENEGRO | MOROCCO | NETHERLANDS | NEW ZEALAND | NORWAY | POLAND | PORTUGAL | PHILIPPINES | QATAR | ROMANIA | RUSSIA | SAUDI ARABIA | SERBIA | SINGAPORE | SLOVAKIA | SLOVENIA | SOUTH AFRICA | SOUTH KOREA | SPAIN | SUDAN | SWEDEN | SWITZERLAND | SYRIA | TAIWAN | THAILAND | TURKEY | UKRAINE | UNITED ARAB EMIRATES | UNITED KINGDOM | USA | UZBEKISTAN | VIETNAM

Tapflo Group Companies

Australia

Tapflo Oceania (Pty) Ltd
Tel: +61 1800 303 633
sales@tapflo.com.au

Austria

Tapflo Austria
Tel: +43 732 27292910
sales@tapflo.at

Baltic States

Tapflo Latvia
Tel: +371 67472205
sales@tapflo.lv

Belarus

Tapflo Belarus
Tel: +375 17 3934609
sales@tapflo.by

Belgium

Tapflo Benelux B.V.
Tel: +31 (0)85 00 743 00
info@tapflo.nl

Bulgaria

Tapflo EOOD
Tel: +359 (0)2 974 18 54
office@tapflo.bg

Canada

Tapflo Canada
Tel: +1 514 813 5754
canada@tapflo.com

Croatia

Tapflo d.o.o.
Tel: +385 91 4884 666
sales@tapflo.hr

Czech Republic

Tapflo s.r.o.
Tel: +420 513 033 924
tapflo@tapflo.cz

China

Tapflo (Wuxi)
Tel: +86 510 8241 7072
sales@tapflo.cn

Denmark

Tapflo Danmark
Tel: +45 36 454600
info@tapflo.dk

France

Tapflo France
Tel: +33 1 34 78 82 40
info@tapflo.fr

Hungary

Tapflo kft.
Tel: +36 30 148 8551
office@tapflo.hu

India

Tapflo Fluid Handling India Pvt Ltd
Tel: +91 20 65000215
ac@tapflo.in

Ireland

Tapflo Ireland Ltd
Tel: +353 1 2011911
info@tapflo.ie

Italy

Tapflo Italia
Tel: +39 0362 306528
info@tapfloitalia.com

Japan

Tapflo Japan K.K.
Tel: +81-3-6240-3510
tapflojp@tapflo.co.jp

Kazakhstan

Tapflo Kazakstan
Tel: +7 727 3278347
sales@tapflo.kz

Netherlands

Tapflo Benelux B.V.
Tel: +31 (0)85 00 743 00
info@tapflo.nl

Poland

Tapflo Sp. z o.o.
Tel: +48 58 530 42 12
info@tapflo.pl

Romania

S.C. Tapflo Rom. S.r.l.
Tel: +40 21 3451255
sales@tapflo.ro

Russia

Tapflo Company
Tel: +7 495 232 18 28
sales@tapflo.com.ru

Serbia

Tapflo d.o.o.
Tel: +381 21 44 58 08
sales@tapflo.rs

Slovakia

Tapflo s.r.o.
Tel: +421 911 137 883
tapflo@tapflo.sk

Slovenia

Tapflo GmbH
Tel: +386 68 613 474
sales@tapflo.hr

Spain

Tapflo Iberica
Tel: +34 91 8093182
avives@tapfloiberica.es

South Africa

Tapflo (Pty) Ltd
Tel: +27 31 701 5255
sales@tapflo.co.za

Turkey

Tapflo Makina Ltd
Tel: +90 216 467 33 11
sales@tapflo.com.tr

Ukraine

TOB Tapflo
Tel: +380 44 222 68 44
sales@tapflo.ua

Uzbekistan

Tapflo Uzbekistan
Tel: +998 712370940
sales@tapflo.uz

United Kingdom

Tapflo (UK) Ltd
Tel: +44 2380 252325
sales@tapflo pumps.co.uk



If your country is not listed
please visit
www.tapflo.com/en/contact