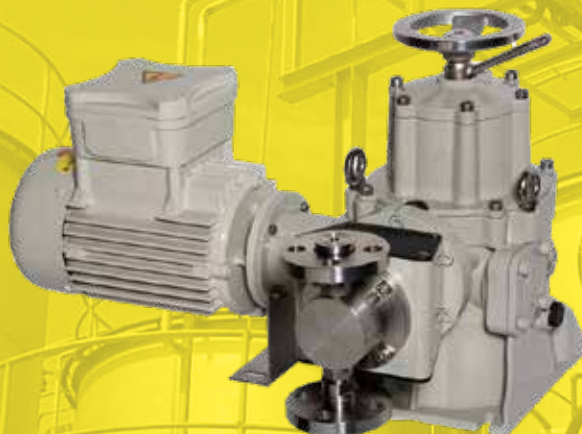


DOSING PUMPS

2018 | 1



All about your flow

Tapflo is a leading pump manufacturer with the ambition to provide a wide range of premium products for various industrial applications. We focus on delivering the best fluid processing solutions and support on all stages of the process, worldwide.



About Tapflo

Tapflo is an independent, Swedish, family owned manufacturer and global supplier of air operated diaphragm pumps, centrifugal pumps and other industrial process equipment. The company was founded in Kungälv, Sweden in 1980 and has since then been working with design and manufacture of thermoplastic, metal and sanitary series diaphragm pumps, as well as the complete range of centrifugal pumps and industrial equipment. After years of dynamic development, the company evolved into Tapflo Group with worldwide operations. Tapflo Group is represented by owned companies and independent distributors all over the world on 6 continents.

Quality certified

At Tapflo, we believe that quality is one of the highest values, both for our customers as well as our employees. As a result, we comply with various globally recognised certification and quality control institutions. Many of our products comply with EC ATEX directives for equipment intended for used in explosive and hazardous environments.

The aseptic series is EHEDG certified (European Hygienic Engineering & Design Group) and the pharmaceutical series has USP VI and EC 1935/2004 approval.

All of our products are clearly CE marked and followed by our comprehensive instruction manuals. Tapflo manufacturing process is certified according to ISO 9001:2015.



Our values

■ Long term engagement is our core

Our aim is to continuously provide premium products according to the evolving needs of our customers. That is why we see each customer relationship as a long term commitment.

■ Local means on your terms

Tapflo is your global partner providing local support. No matter where your plant is located, you can expect us to support you locally.

■ Flexibility the foundation of good service

We are prepared to deal with reality, knowing that in practice this means answering questions, offering solutions and supplying spare parts with a minimal loss of time.

■ Customising to bring the product to the needs

Our intention is always to help our clients find the most cost effective solutions to increase their company's efficiency.

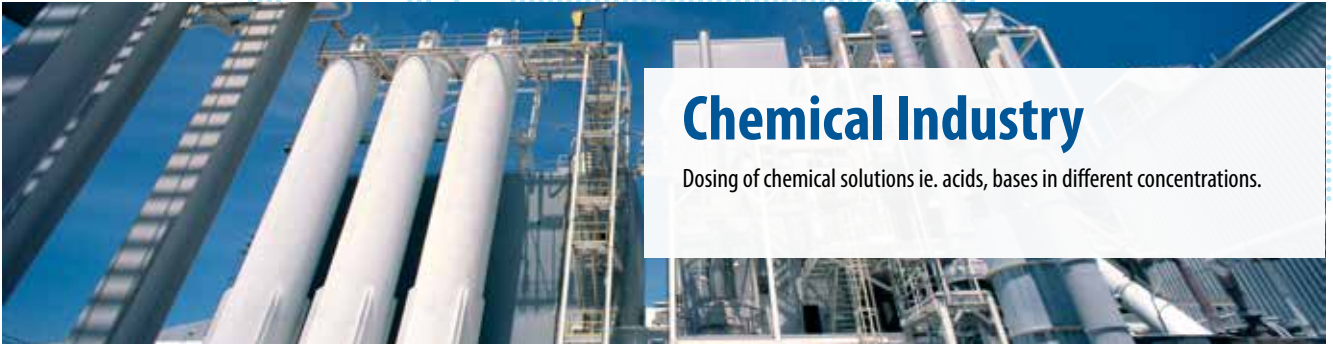
If this means changing the design of the pump, we see it as a challenge - not a problem.

■ To produce is to develop

Being actively involved in the manufacturing of a product, it is almost impossible not to discover ways to improve it.

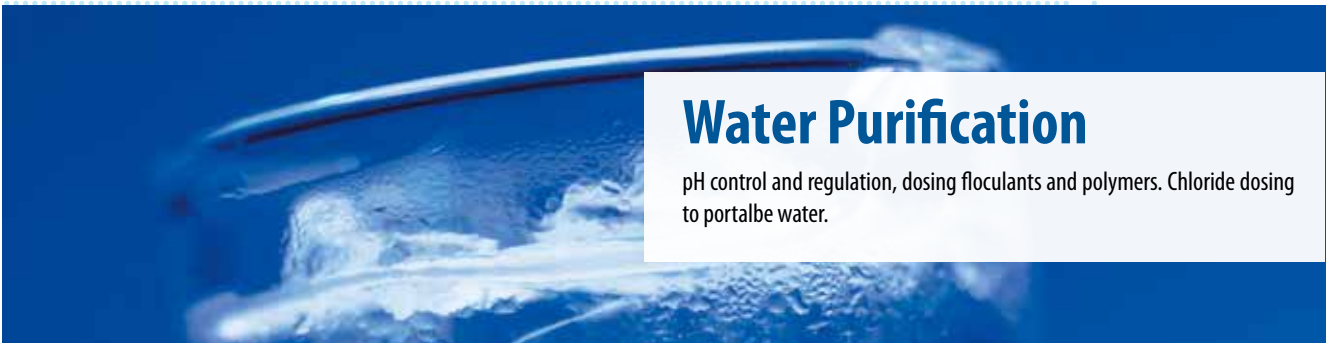
This allows us to frequently offer solutions that are even more sustainable and efficient.

Typical applications



Chemical Industry

Dosing of chemical solutions ie. acids, bases in different concentrations.



Water Purification

pH control and regulation, dosing flocculants and polymers. Chloride dosing to potalbe water.



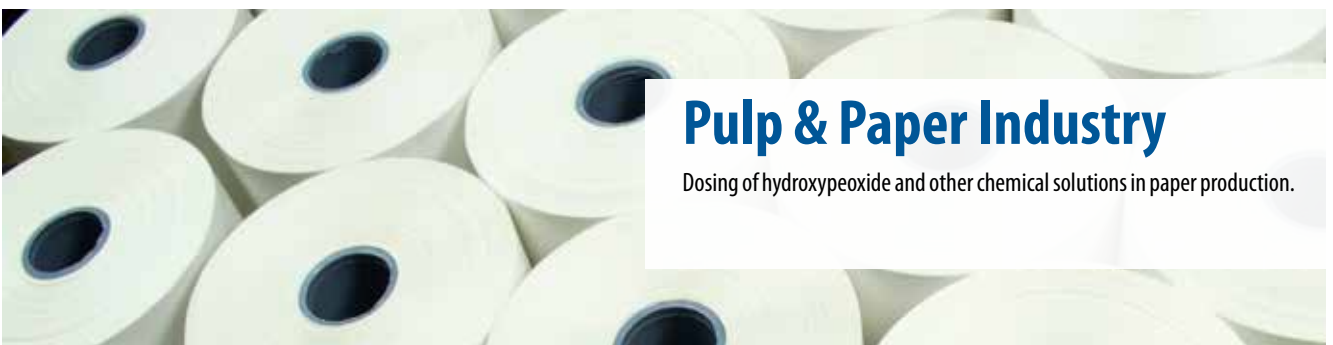
Waste water treatment

Dosing of PIX, PAX, polymers, flocculants in municipal and industrial sewage plants.



Food Production

Dosing of aromas to food products, diatomaceous earth in beer filtration process.

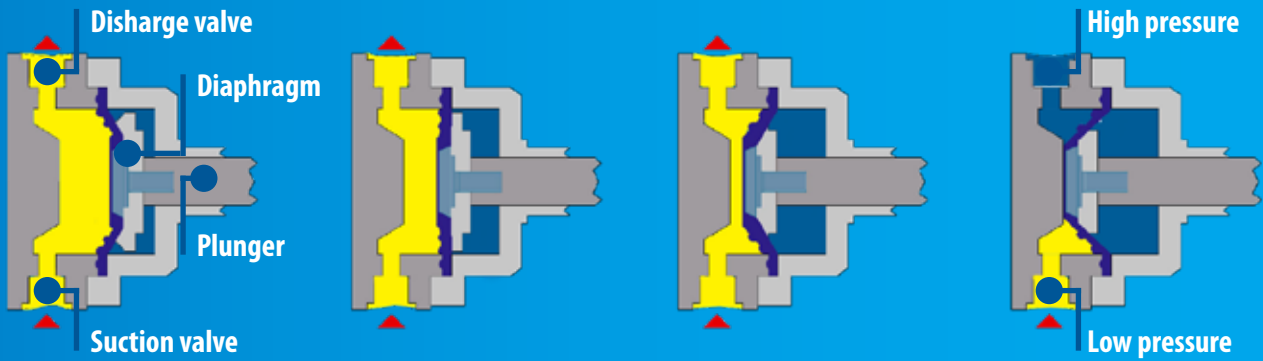


Pulp & Paper Industry

Dosing of hydroxyperoxide and other chemical solutions in paper production.

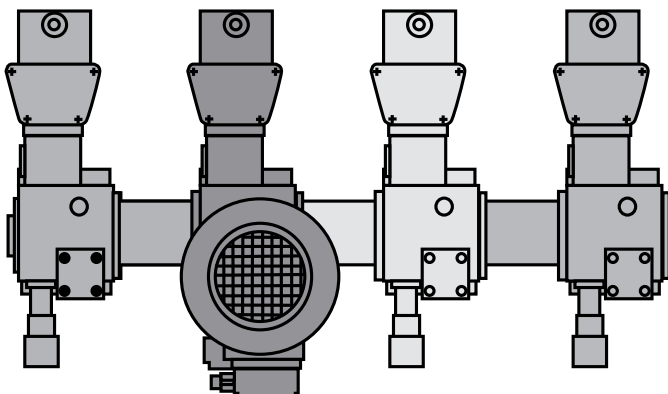
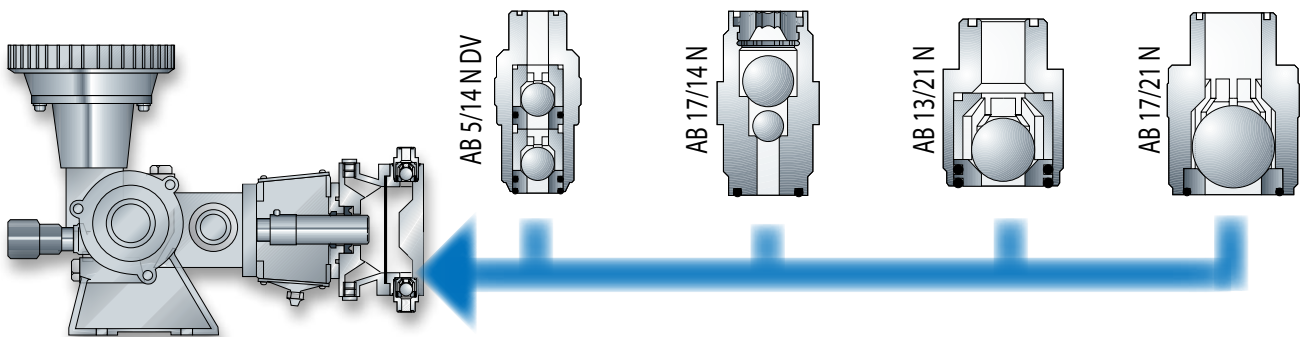
■ Working principle

The gearbox is worm wheel type and helicoidal reduction system with all bearings supported within a fully lubricated gearbox. The mechanism for the variation of the capacity is spring return based operated by an eccentric; this makes the diaphragm move forward (pushing phase) for all the stroke length, while the spring in continuous tension causes the comeback of the diaphragm (suction phase).



Different valve types

All the pumps have a ball valve standard: single and double balls by the function of the pump type or the material execution.



Multiple headed pumps for SR & PDP series

Different multiple heads units are available on request. Each pumping element has independent adjustment while running or at standstill.

Pump types

Dosing pumps are available in three main versions. Plunger pumps with packed plungers, plunger/hydraulic diaphragms or mechanical diaphragms. High pressure pumps are available too, upon request. The range also includes various driving methods, such as electric motor or electromagnetic solenoid operation.



SR SERIES
(pages 6-10)



PDP SERIES
(pages 11-13)



SDP SERIES
(pages 14-15)

Preparation of polyelectrolytes



Automatic plants for dissolution and preparation of powder/emulsion polyelectrolytes. These plants produce from 300 to 5000 lt/h of fully polyelectrolyte solution at constant solution strength from powder/emulsion stock.

The powder dilution plant is fitted with a stocking hopper and a volumetric endless screw, while the emulsion dilution plant works thanks to a plunger metering pump, dosing the emulsion into a static mixer.

Mixers

(page 18)



Fast mixer



Slow mixer

SR Series | FM type

Spring return mechanical diaphragm dosing pump

„FM” - Series Mechanical diaphragm metering pumps are normally used when:

- » The dosed liquid contains small amounts of suspended solids
- » A drip proof/air tight application is required
- » The dosed liquid is a toxic solution

Each pump is fitted with a standard gearbox reduction system with a vertical mounted motor. The reduction gearbox is of a standard endless screw plus worm-wheel type, supported by bearing.

Stroke adjustment can be carried with the pump at rest or in operation and it can be manual. As mechanical diaphragm they are easy for maintenance.

Peculiarity of this model is the complete plastic casing suitable for ACID environment.

Model	Max capacity [lt/h]	Max pressure [barg]
FM050N-30	14	10
FM050N-50	47	5

Fittings:

- » Polyethylene tanks
- » Relief valves and back pressure valves
- » Safety relief valve
- » Injection valve
- » Foot valve
- » Pulsation dampeners
- » Calibration pot



Wide choice of wetted materials: S.S.316L; PVC; PP; PVDF; PTFE other materials available upon request.

MATERIAL EXECUTION

Execution	Pump head	Valve (ball)	Valve seats	Diaphragm
11	AISI 316	AISI 316	AISI 316	PTFE/NBR
12	PP/FRV	PYREX	PVC	PTFE/NBR
13	PVC	PYREX	PVC	PTFE/NBR

PYREX~glass



PUMP CODE

FM	50	50/	D	11	DV
I group	II group	III group	IV group	V group	VI group
“FM” series Mechanical diaphragm dosing pump	Stroke length	Diaphragm diameter in[mm]	Reduction ratio group [strokes/min]	Materials in touch with the fluid	Not standard special code

SR Series | A type

Spring return plunger dosing pump

„A” Series - Plunger metering pumps are normally used when:

- » The dosed liquid is non abrasive solution
- » A drip proof system is not essential
- » High pressure is required

Each pump is fitted with a standard gearbox reduction system with a vertical mounted motor. The reduction gearbox is of a standard endless screw plus worm-wheel type, supported by bearing, fully lubricated in oil bath.

Stroke adjustment can be carried with the pump at rest or in operation and it can be manual or automatic through automatic actuator driven by 4-20 mA; different BUS; pneumatic.

As plunger pumps they are reliable and easy for maintenance and with the possibility to have flushing or leakage recovery system (optional).

Furthermore they comply with ATEX standard, therefore they can be installed in Hazardous area.



Wide choice of wetted materials: S.S.316L; PVC; PP; PVDF; PTFE other materials available upon request.

MATERIAL EXECUTION

Execution	Pump head	Piston	Valve (ball)	Valve seats	Piston gaskets
11	S.S. 316	S.S. 316	S.S. 316	S.S. 316	NBR
13	PVC	CERAMICS	PYREX	PVC	FPM
17	S.S. 316	CERAMICS	S.S. 316	S.S. 316	FPM
19	S.S. 316	S.S. 316	S.S. 316	S.S. 316	FPM
20	PVC	S.S. 316	PYREX	PVC	NBR
21	S.S. 316	S.S. 316	S.S. 316	S.S. 316	PTFE
32	S.S. 316	S.S. 420	S.S. 316	S.S. 316	AU
41	S.S. 316	CERAMICS	S.S. 316	S.S. 316	AU

PYREX~glass, AU = polyurethane

PUMP CODE

A	125N	38/	F	11	DV
I group	II group	III group	IV group	V group	VI group
„A” series Piston dosing pump	Stroke length	Piston diameter in [mm]	Reduction ratio group [piston strokes/min]	Materials in touch with the fluid	Not standard special code

Model	Max capacity [lt/h]	Max pressure [barg]
A 125N	156	20
A 175N	408	20
A 250N	1042	20
A 350N	1458	4
AP A 125N	15,6	230
AP A 250N	28,6	230
AP A 350N	57,4	230

Fittings:

- » Polyethylene tanks
- » Relief valves and back pressure valves
- » Safety relief valve
- » Injection valve
- » Foot valve
- » Pulsation dampeners
- » Calibration pot



SR Series | D type

Spring return mechanical diaphragm dosing pump

„D” Series - Mechanical diaphragm metering pumps are normally used when:

- » The dosed liquid contains small amounts of suspended solids
- » A drip proof/air tight application is required
- » The dosed liquid is a toxic solution

Each pump is fitted with a standard gearbox reduction system with a vertical mounted motor. The reduction gearbox is of a standard endless screw plus worm-wheel type, supported by bearing, fully lubricated in oil bath.

Stroke adjustment can be carried with the pump at rest or in operation and it can be manual or automatic through automatic actuator driven by 4-20 mA; different BUS; pneumatic. As mechanical diaphragm they are easy for maintenance.

Furthermore they comply with ATEX standard, therefore they can be installed in Hazardous area.

Model	Max capacity [lt/h]	Max pressure [barg]
D050N	49	14
D100N	438	5
D101N	418	8
D121N	570	3
D122N	1400	6

Fittings:

- » Polyethylene tanks
- » Relief valves and back pressure valves
- » Safety relief valve
- » Injection valve
- » Foot valve
- » Pulsation dampeners
- » Calibration pot



Wide choice of wetted materials: S.S.316L; PVC; PP; PVDF; PTFE other materials available upon request.



MATERIAL EXECUTION

Execution	Pump head	Valve (ball)	Valve seats	Diaphragm	Valves O-ring
11	S.S. 316L	S.S. 316L	S.S. 316L	PTFE/NBR	FPM
12	PP/FRV	PYREX	PP/FRV	PTFE/NBR	FPM
13	PVC	PYREX	PVC	PTFE/NBR	FPM
16	PVC	S.S. 316L	PVC	PTFE/NBR	FPM
23	PVDF	PYREX	PVDF	PTFE/NBR	FPM

PP/FRV = polypropylene + glass fiber, PYREX~glass

PUMP CODE

D	100N	70/	B	11	DV
I group	II group	III group	IV group	V group	VI group
“D” series Mechanical diaphragm dosing pump	Stroke length	Diaphragm diameter in [mm]	Reduction ratio group [strokes/min]	Materials in touch with the fluid	Not standard special code

SR Series | B & BR type

Spring return hydraulic diaphragm dosing pump

„B & BR“ - Series Hydraulic diaphragm metering pumps are normally used when:

- » The dosed liquid contains small amounts of suspended solids
- » A drip proof/air tight application is required
- » The dosed liquid is a toxic solution
- » High pressure is required

Each pump is fitted with a standard gearbox reduction system with a vertical mounted motor. The reduction gearbox is of a standard endless screw plus worm-wheel type, supported by bearing, fully lubricated in oil bath.

Stroke adjustment can be carried with the pump at rest or in operation and it can be manual or automatic through automatic actuator driven by 4-20 mA; different BUS; pneumatic. BR version is equipped with built-in safety valve is installed in the hydraulic circuit, in order to protect the diaphragm against over pressure.

Furthermore they comply with ATEX standard, therefore they can be installed in Hazardous area.



Wide choice of wetted materials: S.S.316L; PVC; PP; PVDF; PTFE other materials available upon request.



Model	Max Capacity [lt/h]	Max pressure [barg]
B&BR 125N	108	20 / 13,5
B&BR 175N	418	20 / 14
B&BR 250N	1068	11 / 7,2
APB&BR 125N	60	60 / 40
APB&BR 175N	247	60 / 40
APB&BR 250N	556	23 / 20,7

Fittings:

- » Polyethylene tanks
- » Relief valves and back pressure valves
- » Safety relief valve
- » Injection valve
- » Foot valve
- » Pulsation dampeners
- » Calibration pot



BR 175N pump

MATERIAL EXECUTION

Execution	Pump head	Piston	Valve (ball)	Valve seats	Diaphragm	Valves O-ring
29	PP	S.S. 420 TEMP.	PYREX	PP	PTFE/NBR	T20
41	S.S. 316	S.S. 420 TEMP.	S.S. 316	S.S. 316	PTFE/NBR	T20
43	PVC	S.S. 420 TEMP.	PYREX	PVC	PTFE/NBR	T20

PP = polypropylene, AISI 420 TEMP. = tempered stainless, T20 = polyurethane rubber, PYREX~glass

PUMP CODE

B	125N	30/	B	41	DV
I group	II group	III group	IV group	V group	VI group
“B” series Hydraulic diaphragm dosing pump	Stroke length	Diaphragm diameter in [mm]	Reduction ratio group [strokes/min]	Materials in touch with the fluid	Not standard special code

SR Series | SD type

Spring return sandwich hydraulic diaphragm dosing pump

„SD” Series - Sandwich Hydraulic diaphragm metering pumps are normally used when:

- » The dosed liquid contains small amounts of suspended solids
- » No leakage are accepted
- » The dosed liquid is a toxic solution
- » High pressure is required

Each pump is fitted with a standard gearbox reduction system with a vertical mounted motor. The reduction gearbox is of a standard endless screw plus worm-wheel type, supported by bearing, fully lubricated in oil bath.

Stroke adjustment can be carried with the pump at rest or in operation and it can be manual or automatic through automatic actuator driven by 4-20 mA; different BUS; pneumatic. A built-in safety valve is installed in the hydraulic circuit, in order to protect the diaphragm against over pressure.

The peculiarity of this pump is the special sandwich diaphragm and the reliability of the diaphragm rupture detection system.

Furthermore they comply with ATEX standard, therefore they can be installed in Hazardous area.

Model	Max capacity [lt/h]	Max pressure [barg]
SD 125N	108	13,5
SD 175N	418	14
SD 250N	1068	7,2
AP SD 125N	60	40
AP SD 175N	247	40
AP SD 250N	556	20,7

Fittings:

- » Polyethylene tanks
- » Relief valves and back pressure valves
- » Safety relief valve
- » Injection valve
- » Foot valve
- » Pulsation dampeners
- » Calibration pot



Diaphragm rupture detector
Pressure gauge
Pressure switches



Wide choice of wetted materials: S.S.316L; PVC; PP; PVDF; PTFE other materials available upon request.

MATERIAL EXECUTION

Execution	Pump head	Piston	Valve (ball)	Valve seats	Diaphragm	Piston gaskets	Oil chamber
03	PVC	S.S. 420 TEMP.	PYREX	PVC	SANDWICH PTFE	AU / NBR	ALUMINUM
05	S.S. 316	S.S. 420 TEMP.	S.S. 316	S.S. 316	SANDWICH PTFE	AU / NBR	ALUMINUM
06	S.S. 316	S.S. 420 TEMP.	S.S. 316	S.S. 316	SANDWICH PTFE	AU / NBR	FE. 00
07	PP	S.S. 420 TEMP.	PYREX	PP	SANDWICH PTFE	AU / NBR	ALUMINUM

PP = polypropylene, S.S. 420 TEMP. = tempered stainless

PUMP CODE

SD	125N	30	B	11	DV
I group	II group	III group	IV group	V group	VI group
“SD” series Sandwich Hydraulic diaphragm dosing pump	Stroke length	Piston diameter in [mm]	Reduction ratio group [strokes/min]	Materials in touch with the fluid	Not standard special code

PDP Series | A - I type

Positive displacement plunger dosing pump

„A-I“ Series - Plunger dosing pumps comply with mechanical and performance API 675 standards. Furthermore they comply with ATEX standard, therefore they can be installed in Hazardous area.

Mechanism is an internal worm gear, fully oil bath lubricated with possibility to be coupled with others independently from the size and stroke number to obtain multi-heads unit.

Stroke adjustment can be carried with the pump at rest or in operation and it can be manual or automatic through automatic actuator driven by 4-20 mA; different BUS; pneumatic.

Accuracy within $\pm 1\%$ within 10-100% of rated capacity.

As plunger pumps they are reliable and easy for maintenance and with the possibility to have flushing or leakage recovery system (optional).



Wide choice of wetted materials: S.S.316L; PVC; PP; PVDF; PTFE other materials available upon request.



Model	Max capacity [lt/h]	Max pressure [barg]
A I 175	385	50
A I 250	1265	40
A I 350	3569	40
APA I 175	44	230
APA I 250	160	230
APA I 350	477	250

Note: higher pressure are available

Fittings:

- » Relief valves and back pressure valves
- » Safety relief valve
- » Injection valve
- » Foot valve
- » Pulsation dampeners
- » Calibration pot

PDP Series | SDI type

Positive displacement sandwich hydraulic diaphragm dosing pump

„SDI“ Series - Sandwich Hydraulic diaphragm dosing pumps comply with mechanical and performance API 675 standards. Furthermore they comply with ATEX standard, therefore they can be installed in hazardous area.

Mechanism is an internal worm gear, fully oil bath lubricated with possibility to be coupled with others independently from the size and stroke number to obtain multi-heads unit.

Stroke adjustment can be carried with the pump at rest or in operation and it can be manual or automatic through automatic actuator driven by 4-20 mA; different BUS; pneumatic.

Accuracy within $\pm 1\%$ within 10-100% of rated capacity.

A built-in safety valve is installed in the hydraulic circuit, in order to protect the diaphragm against over pressure. The peculiarity of this pump is the special sandwich diaphragm and the reliability of the diaphragm rupture detection system.

Model	Max capacity [lt/h]	Max pressure [barg]
SD I 175	390	14
SD I 250	1264	14
SD I 350	4028	14
APSDI 175	231	40
APSD I 250	711	80
APSD I 350	1496	56

Note: higher pressure are available

Fittings:

- » Relief valves and back pressure valves
- » Safety relief valve
- » Injection valve
- » Foot valve
- » Pulsation dampeners
- » Calibration pot



Wide choice of wetted materials: S.S.316L; PVC; PP; PVDF; PTFE other materials available upon request.



Adjustment PDP Series

Manual

0-100% of the stroke length hand wheel can be carried with the pump at rest or in operation.
(can be equipped with gravitational dial hand-wheel)

Automatic E type

Simple and basic electric actuator.
input 4-20mA; 0-10V or 4-20mA output.
IP55

Manual emergency override

Power supply 24V AC/DC

NB: available on selected models

E1 type

Electric actuator.

input and output 4-20mA (special BUS upon request)
IP67

Manual emergency override

Power supply 1Ph 110/230V 50/60Hz

(other option upon request)

ATEX comply (upon request)

E2 type

Electric actuator.

input and output 4-20mA (special BUS upon request)
IP68

Manual emergency override

Power supply 3Ph 400V50/60Hz

(other option upon request)

ATEX comply (upon request)

NB: available on selected models

P type

Pneumatic actuator

Air instrument 3-15PSI

Air supply: 4-6 Bar

ATEX comply (upon request)

Special solution

Double effect plunger pump; smooth flow with higher flow rate.



E type



E1 type



E2 type



P type

Sandwich hydraulic actuated diaphragm; heated pump head and valves; ATEX comply.



SDP Series | S type

Solenoid dosing pumps

The SDP family provide an alternative solution in lower rates application field where end users look forward reliable results and simple operation.

Using a built-in microprocessor, with its own flexibility, makes the SDP series extremely complete and suitable for a wide range of applications, thanks to several functions included in the same pump, even with few models.

Common features for every model:

- » Foot mounted dosing pump
 - » Corrosion-proof reinforced polypropylene housing
 - » Solid PTFE diaphragm
 - » Water-resistant IP65 protection
 - » IP 65 - wodoodporne
 - » Wide choice of wetted materials: PP; PVC; PTFE; PVDF
- On request: 24V d.c., 12V d.c., 24V a.c., 110V 50/60 Hz

Model	Max capacity [lt/h]	Max pressure [barg]
S - -	20	20

Fittings:

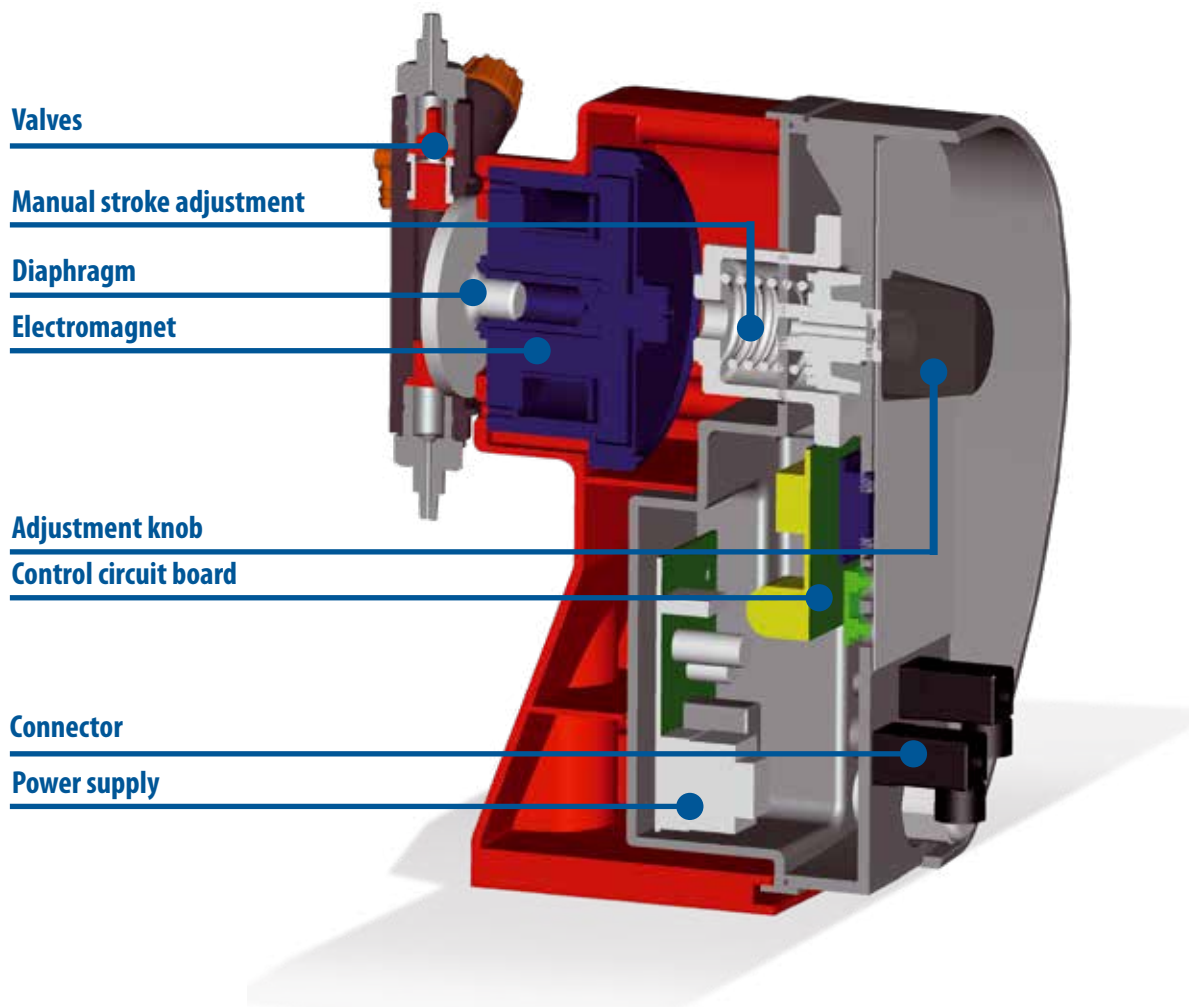
- » Polyethylene tanks
- » Relief valves and back pressure valves
- » Safety relief valve
- » Injection valve
- » Foot valve
- » Pulsation dampeners
- » Calibration pot

All chemical dosing pumps are complete of accessories to improve the operation and accuracy of the chemical dosing pump:

- » Injection valve
- » 1.5 mt suction pipe;
- » 1.5 mt delivery pipe
- » Strainer



Wide choice of wetted materials: PP; PVC; PTFE; PVDF.



Pump types

SMC / SML - Analogic dosing pump.

Potentiometer manual adjustment range 10–100% with double regulating scale. The SML version is predisposed for level control setting (supplied without probe).

SMM - Digital dosing pump.

Operating function regulated by microprocessor. Manual flow rate adjustment with 3 digit display from 0–100%. Level control setting (supplied without probe).

SSC - Digital dosing pumps.

Operating function regulated by microprocessor. 3 digit display. Capacity adjustment by incoming signal configured by user between 0–20mA. Level control setting (supplied without probe).

SSW - Digital dosing pump.

Operating function regulated by microprocessor and display LCD 12X2. Multifunction or proportional by incoming digital or analogic signal: 0–20 mA; 1 x n; 1: n; 1 x n–M. Level control setting (supplied without probe)

SWM - Digital dosing pump.

Operating function regulated by microprocessor and with 3 digit display. Capacity with manual adjustment or proportional by digital signal (Flowmeter with output signal) with different function: Pulse multiplier: 1 x n; Pulse divider: 1: n; Pulse multiplier with memory; 1 x n–M; Level control setting (supplied without probe).

SMF - Dosing pump with pH, Rx, Cl built in instruments.

Operation mode: 0–14 pH ; –1000 : +1400mV ; 0–2, 20, 200 ppm; Temperature compensation 0–100°C; 4–20mA out-put; Protection IP65; Predisposed for level probe setting (probe excluded); Pompa Dosatrice con strumento incorporato pH, Rx, Cl.

SCD - Dosing pump with built in CD instruments, with operating function regulated by microprocessor.

Survey and conductivity control, range 0–1000 and 0–10.000 micro siemens. Temperature compensation ON–OFF and proportional operation mode Output 4–20 mA; Level control setting (supplied without probe). CD probe included.



SWM

SML

SMM

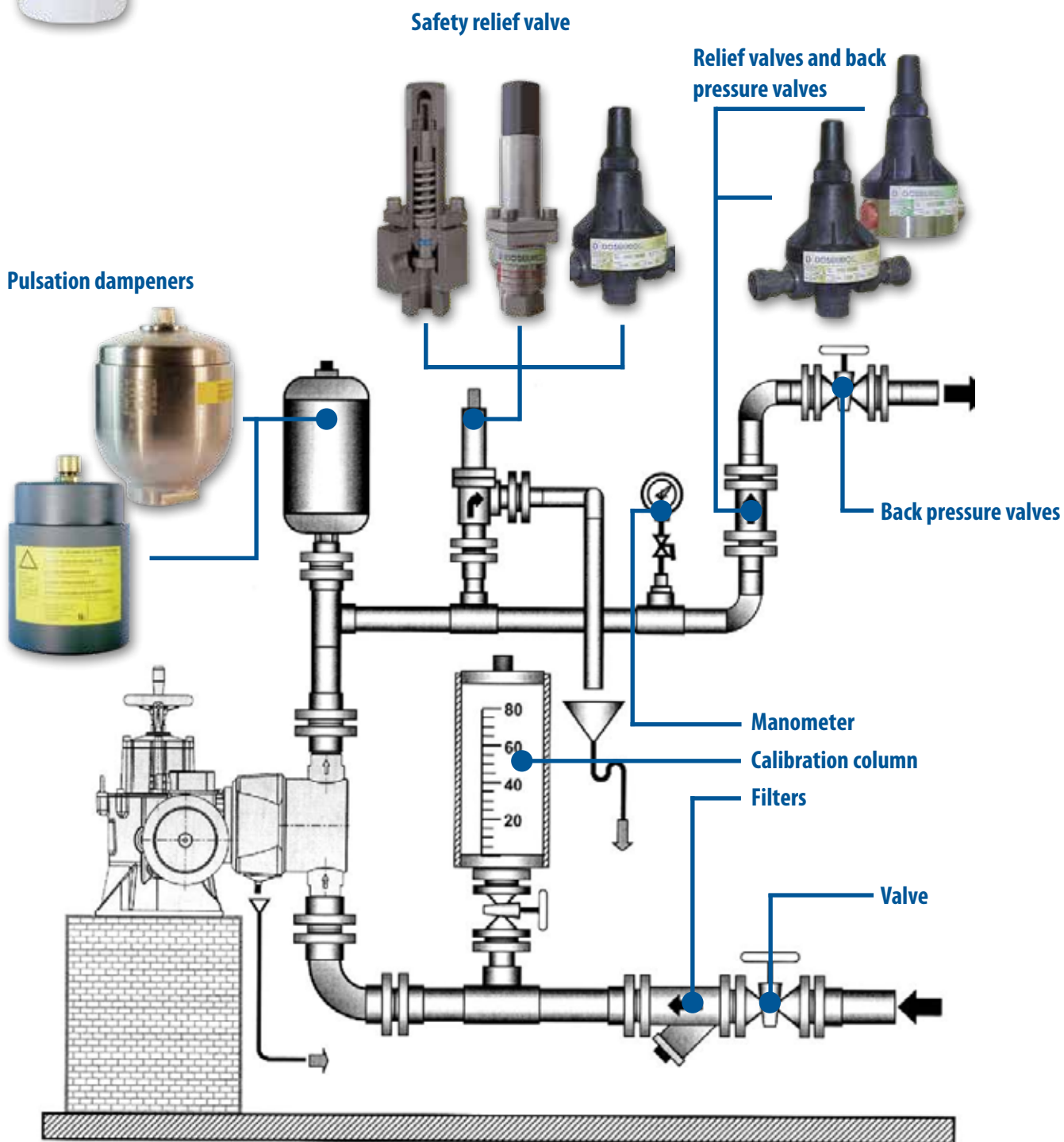
Accessories

Dosing pumps are usually installed with accessories, they are used to make process safer and achieve higher reliability.



Polyethylene tanks

Suitable to be fitted with metering pump on its top



RAPIDA Series

Quickly and easily is the rapida's motto,

thanks to his LCD display, control board and different function that allow to change the pump setting immediately.

FUNCTION

Manual:

Flow rate adjustment with 4 digit display in a range 10%-100% (6-60Hz) of the pump capacity.

Analogic:

Flow rate adjustment by incoming signal 4-20mA in a range 10%-100% (6-60Hz) of the pump capacity.

Batch:

Pump can be programmable for operating only for a certain period.

Level Control Setting:

Predisposed to be connected to level sensor

Diaphragm rupture detector:

In case of diaphragm fail pump will stop automatically giving an alarm.
(Available for selected product – SD pump type).

Remote alarm:

Relay exit to switch for any alarm

Technical information:

- » Vector voltage control for variation in frequency to control a 3Ph motor.
- » Power supply: 1Ph 230V(±10%) – 50/60Hz for 230V 3Ph motor
- » Enclosure: IP55
- » Ambient Temperature: -20 to +40°C



RAPIDA...



... type SR B - SR BR



...type SR SD



...type SR A



... type SR D

Electric mixers

Type DMT i type DMM

High speed mixers directly coupled to the motor, for small tanks up to 1000 litres capacity, with polypropylene coated shaft and propeller.

Type DEM

High speed mixers, directly coupled to the motor, supported by a protection lantern, housing an extra bearing kit, for increased shaft stability, and an extra seals kit, for increased protection from the mixed chemical.

Type DRV

Slow speed mixers for light applications, with close coupled worm wheel/ endless screw reduction gear box.

Type DRC

Heavy duty slow speed mixers with co-axial reducer, outrigger bearings and protective seals.

Model	Version	Services
DMT	Fast mixer	<1000l tank liquid < 250 cps
DMM	Fast mixer	<1000l tank liquid < 250 cps
DEM	Fast mixer	<3000l tank liquid < 1000 cps
DRV	Slow mixer	<7000l tank liquid < 2500 cps
DRC	Slow mixer	<40000l tank liquid < 5000 cps



DMT



DEM



DRV



DRC

Propellers



MARINE PROPELLER TYPE

Characteristics:
- moderated pumping capacity
- turbulent mixing

Applications:
- liquid/liquid and liquid/solid blending
- max. tank capacity 10 m³
- low viscosity
- suitable for standard applications



FOLDING PROPELLER TYPE

Characteristics:
- mild pumping capacity
- unfolding during rotation

Applications:
- liquid/liquid and liquid/solid blending
- max. tank capacity 1 m³
- low viscosity
- suitable for vessel with narrow coupling hole



BLADE PROPELLER TYPE

Characteristics:
- axial flow
- good pumping capacity
- low consumption

Applications:
- liquid/liquid and liquid/solid blending
- max. tank capacity 200 m³
- low / medium viscosity
- many standard applications



TURBINE HIGH FLOW TYPE

Characteristics:
- axial flow
- good pumping capacity
- low consumption

Applications:
- liquid/liquid and liquid/solid blending
- max. dim. tank 1000 m³
- low / medium viscosity
- many standard applications

Product range

Diaphragm pumps & accessories



PE & PTFE pumps



Metal pumps



Pharmaceutical pumps



Sanitary pumps



TC Intelligent pumps



Powder pumps



TF Filter press pumps



EHEDG aseptic pumps



Active pulsation dampeners



Systems & accessories



Trolleys



Centrifugal pumps, filter units & accessories



CTI & CTH centrifugal pumps



CTP plastic centrifugal pumps



CTM magdrive centrifugal pumps



CTV vertical centrifugal pumps



CTS self-priming centrifugal pumps



Trolleys



FT Filter units

Sweden

Filaregatan 4 | S-442 34 Kungälv

Tel: +46 303 63390

Fax: +46 303 19916

E-mail addresses:

Commercial questions: sales@tapflo.com

Orders: order@tapflo.com

Tech support: support@tapflo.com

Tapflo products and services are available in 75 countries on 6 continents.

Tapflo is represented worldwide by own Tapflo Group Companies and carefully selected distributors assuring highest Tapflo service quality for our customers' convenience.

AUSTRALIA | AUSTRIA | AZERBAIJAN | BAHRAIN | BELARUS | BELGIUM | BOSNIA | BRAZIL | BULGARIA | CANADA | CHILE | CHINA | COLOMBIA | CROATIA | CZECH REPUBLIC | DENMARK | ECUADOR | EGYPT | ESTONIA | FINLAND | FRANCE | GREECE | GEORGIA | GERMANY | HONG-KONG | HUNGARY | ICELAND | INDIA | INDONESIA | IRAN | IRELAND | ISRAEL | ITALY | JAPAN | JORDAN | KAZAKHSTAN | KUWAIT | LATVIA | LIBYA | LITHUANIA | MACEDONIA | MALAYSIA | MEXICO | MONTENEGRO | MOROCCO | THE NETHERLANDS | NEW ZEALAND | NORWAY | POLAND | PORTUGAL | PHILIPPINES | QATAR | ROMANIA | RUSSIA | SAUDI ARABIA | SERBIA | SINGAPORE | SLOVAKIA | SLOVENIA | SOUTH AFRICA | SOUTH KOREA | SPAIN | SUDAN | SWEDEN | SWITZERLAND | SYRIA | TAIWAN | THAILAND | TURKEY | UKRAINE | UNITED ARAB EMIRATES | UNITED KINGDOM | USA | UZBEKISTAN | VIETNAM

Tapflo Group Companies

Austria

Tapflo Austria
Tel: +43 732 27292910
sales@tapflo.at

Azerbaijan

Tapflo Makina Ltd
Tel: +90 216 467 33 11
sales@tapflo.com.tr

Baltic States

Tapflo Latvia
Tel: +371 67472205
sales@tapflo.lv

Belarus

Tapflo Belarus
Tel: +375 17 3934609
sales@tapflo.by

Bulgaria

Tapflo EOOD
Tel: +359 (0)2 974 18 54
office@tapflo.bg

Canada

Tapflo Canada
Tel: +1 514 813 5754
canada@tapflo.com

Croatia

Tapflo GmbH
Tel: +385 91 4884 666
sales@tapflo.hr

Czech Republic

Tapflo s.r.o.
Tel: +420 513 033 924
tapflo@tapflo.cz

China

Tapflo (Wuxi)
Tel: +86 510 8241 7602
sales@tapflo.cn

Denmark

Tapflo Danmark
Tel: +45 36 454600
info@tapflo.dk

France

Tapflo France
Tel: +33 1 34 78 82 40
info@tapflo.fr

Georgia

TOB Tapflo
Tel: +380 44 222 68 44
sales@tapflo.com.ua

India

Tapflo Fluid Handling India Pvt Ltd
Tel: +91 20 65000215
ac@tapflo.in

Ireland

Tapflo Ireland Ltd
Tel: +353 1 2011911
info@tapflo.ie

Italy

Tapflo Italia
Tel: +39 0362 306528
info@tapfloitalia.com

Japan

Tapflo Japan K.K.
Tel: +81-3-6240-3510
tapflojp@tapflo.co.jp

Kazakhstan

Tapflo Kazakhstan
Tel: +7 727 3278347
sales@tapflo.kz

Poland

Tapflo Sp. z o.o.
Tel: +48 58 530 42 12
info@tapflo.pl

Romania

S.C. Tapflo Rom. S.r.l.
Tel: +40 21 3451255
sales@tapflo.ro

Russia

Tapflo Company
Tel: +7 495 232 18 28
sales@tapflo.com.ru

Serbia

Tapflo d.o.o.
Tel: +381 21 44 58 08
sales@tapflo.rs

Slovakia

Tapflo s.r.o.
Tel: +421 911 137 883
tapflo@tapflo.sk

Slovenia

Tapflo GmbH
Tel: +386 68 613 474
sales@tapflo.hr

Spain

Tapflo Iberica
Tel: +34 91 8093182
avives@tapfloiberica.es

South Africa

Tapflo (Pty) Ltd
Tel: +27 31 701 5255
sales@tapflo.co.za

Turkey

Tapflo Makina Ltd
Tel: +90 216 467 33 11
sales@tapflo.com.tr

Ukraine

TOB Tapflo
Tel: +380 44 222 68 44
sales@tapflo.com.ua

Uzbekistan

Tapflo Uzbekistan
Tel: +998 712370940
sales@tapflo.uz

United Kingdom

Tapflo (UK) Ltd
Tel: +44 2380 252325
sales@tapflo pumps.co.uk